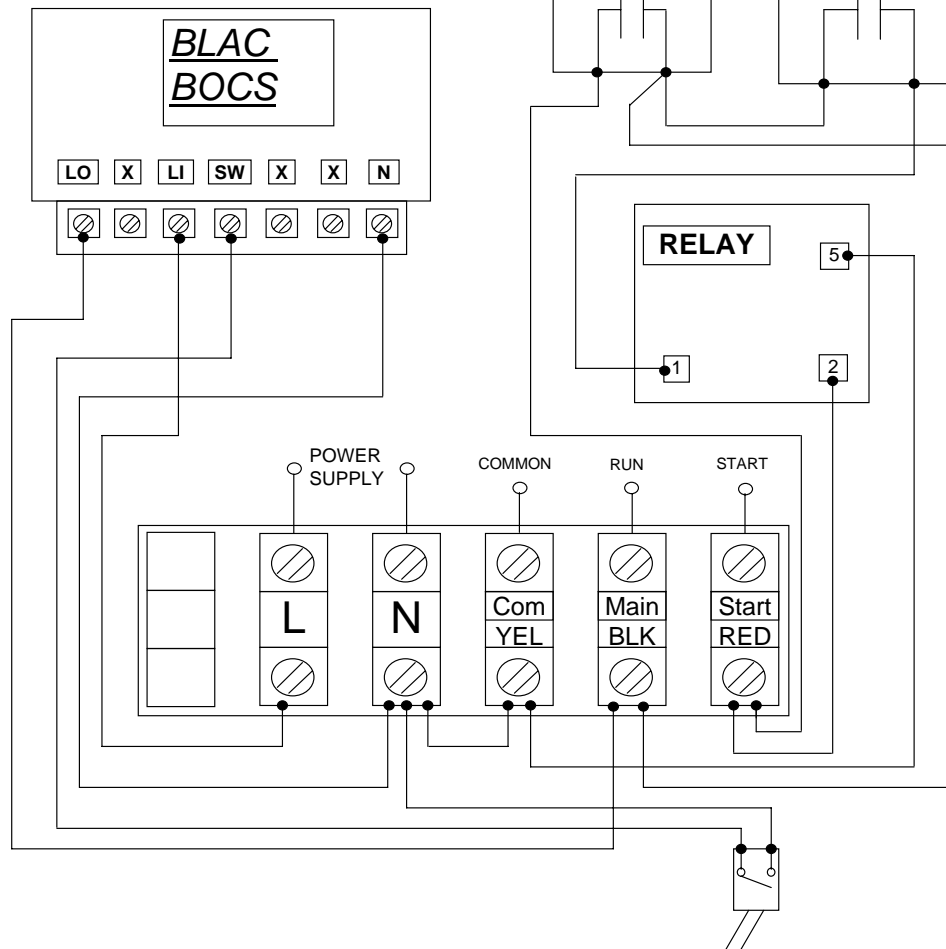


**1.1 to 2.2 kW 230V
CONTROL BOX PLUS
INTERNAL WIRING DIAGRAM**



IMPORTANT:

- INTENDED AS A WIRING GUIDE ONLY.
- FOR ELECTRICAL COMPLIANCE REFER TO LOCAL ELECTRICAL CODES SUCH AS SANS 0142 ETC.
- FOR DEVELOPMENT, MAINTENANCE AND MANAGEMENT OF GROUNDWATER RESOURCE COMPLIANCE REFER TO SANS 10299.
- FOR BLAC BOCS OPERATION AND LIGHT INDICATION REFER TO YOUR BLAC BOCS MANUAL OR FASP FIELD SERVICE GUIDE & ELECTRICAL INSTRUMENT KIT MANUAL.

CAPACITOR SIZES:

- 1.1 kW - RUN CAP = 10 Mfd 370V
- START CAP = 105-126 Mfd 220V
- 1.5 kW - RUN CAP = 20 Mfd 370V
- START CAP = 189-227 Mfd 220V
- 2.2 kW - RUN CAP = 35 Mfd 370V
- START CAP = 270-324 Mfd 220V

TECHNICAL SPECIFICATIONS

Voltage - Nominal 230VAC 50Hz
 Voltage - Operating 185VAC to 265VAC 50Hz
 Voltage - Starting 195VAC to 275VAC 50Hz
 Operating - 5 to + 60 degrees celsius
 Temperature Trip time varies with severity of overload
 Overload Control Approximate 70% of normal shaft power
 Under Load Control Runtime is automatically matched to water available for pumping
 Reset On Dry Run Auto reset after first two overloads with 15 minute delay, then reset by power-up with 90 second delay
 Reset On Overload ISOLATOR: Used for applying power to control box only - not recommended for repeated on/off switching activity.
 Switch Control ON/OFF, PRESSURE, FLOAT or other type of switch: Intermittent starting and stopping of the pump/motor unit.

Identification of Cables when Colour Code Is Unknown:

If the colours on the individual drop cable cannot be found, number each cable. Measure with ohmmeter:

- Table 1 to Table 2**
- Table 2 to Table 3**
- Table 3 to Table 1**

Find the highest resistance reading.
 The lead not used in the highest reading is the Common lead (Mark the lead). Use the Common lead and each of the other two leads to get two readings:

From these two readings the:
Highest is the Start (Mark the lead).
Lowest is the Run (Mark the lead).

Connect marked leads to Control Box as indicated



Franklin Electric
South Africa (Pty) Ltd

CONNECTION:

- N** - NEUTRAL
- X** - DO NOT USE
- X** - DO NOT USE
- SW** - SWITCH
- LI** - LINE INN
- X** - DO NOT USE
- Lo** - LINE OUT

Revisions

Rev	Date	App	Description

Reference Drawings

Part Number

1.1 kW											
3	8	0	3	5	5	0	2	5	0		
1.5 kW											
3	8	0	3	5	5	0	2	5	1		
2.2 kW											
3	8	0	3	5	5	0	2	5	2		

Drawn	BE
Approved	LVDM
Date	22/09/2005

Drw Type	Schematic
Rev	0

BLAC BOCS
 Single Phase 1.1 to 2.2kW
 Manual On/Off
 230V