

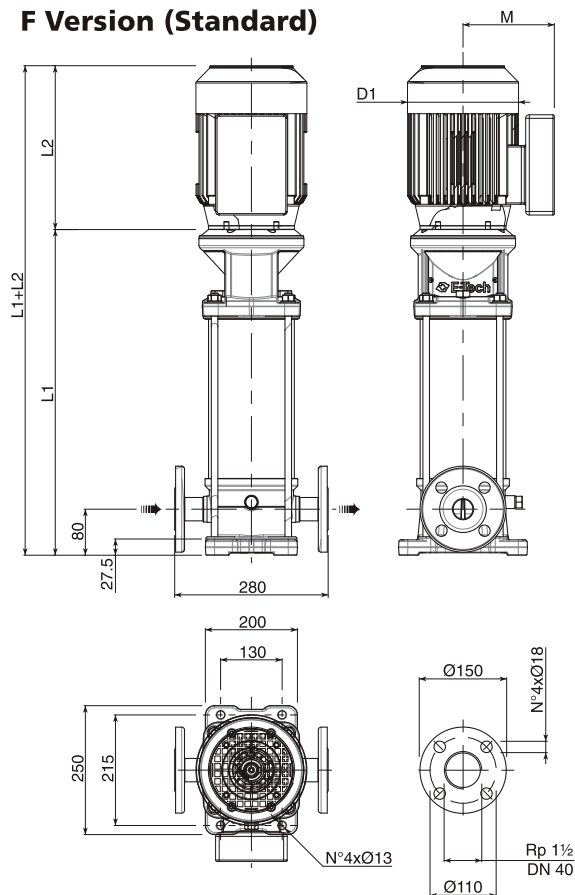


**VERTICAL MULTISTAGE PUMP  
TECHNICAL DATA**

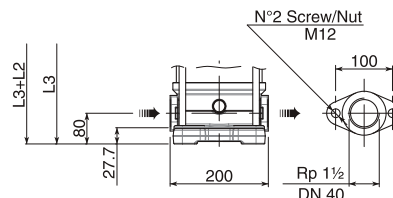
**VR9**

**Dimensional Data**

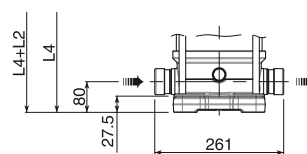
**F Version (Standard)**



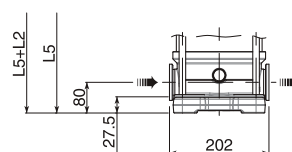
**T Version**



**V Version**



**C Version**



**F version-**  
Round flanges on body type PN25.

**T version-**  
Oval flanges on body type PN16: the pump is supplied without oval counter flanges for pipe to be screwed, joints and bolts (Optional accessories).

**V version-**  
Connections with rapid fittings type "Victaulic": the pump is supplied without the collars (Optional accessories).

**C version-**  
Connections with round fittings type Clamp-FlexiClamp: the pump is supplied without collars (Optional accessories).

Pump Model	Motor			Dimensions (MM)										Weight (KG)				
	KW/HP	Size	MTG	L1	L2		L3	L4	L5	M		D1		PE	Motor		PMA	
				F	1-ph	3-ph	T-vers	V-vers	C-vers	1-ph	3-ph	1-ph	3-ph		1-ph	3-ph	1-ph	3-ph
VR9/2	.75/1.0	80	B14	347.5	250	250	347.5	347.5	347.5	142	137	165.0	158.0	17.5	8.9	8.7	26.5	26.2
VR9/3	1.1/1.5	80	B14	377.5	250	250	377.5	377.5	377.5	142	137	165.0	158.0	18.0	8.9	8.7	26.9	26.9
VR9/4	1.5/2.0	90S	B14	417.5	260	260	417.5	417.5	417.5	150	145	185.0	175.0	19.0	12	12	31	31
VR9/5	2.2/3.0	90L	B14	448.0	285	285	448.0	448.0	448.0	150	145	185.0	175.0	20.0	15	14.5	35	34.5
VR9/6	2.2/3.0	90L	B14	478.0	285	285	478.0	478.0	478.0	150	145	185.0	175.0	21.0	15	14.5	36	35.5
VR9/7	3.0/4.0	100L	B14	518.0		308	518.0	518.0	518.0		152		197.0	22.0		20		42
VR9/8	3.0/4.0	100L	B14	548.0		308	548.0	548.0	548.0		152		197.0	23.0		20		43
VR9/10	4.0/5.5	112	B14	608.0		335	608.0	608.0	608.0		180		220.0	24.5		26		50.5
VR9/11	4.0/5.5	112	B14	638.0		335	638.0	638.0	638.0		180		220.0	25.0		26		51
VR9/12	5.5/7.5	132S	B5	690.5		376	690.5	690.5	690.5		193		262.0	30.5		38.4		68.9
VR9/14	5.5/7.5	132S	B5	750.5		376		750.5	750.5		193		262.0	32.0		38.4		70.4
VR9/17	7.5/10.0	132S	B5	840.5		376		840.5	840.5		193		262.0	34.5		41.3		75.8
VR9/19	7.5/10.0	132S	B5	900.5		376		900.5	900.5		193		262.0	36.0		41.3		77.3
VR9/20	7.5/10.0	132S	B5	930.5		376		930.5	930.5		193		262.0	36.5		41.3		77.8

DATE: MARCH 2011

CURVE NO. VRD003

