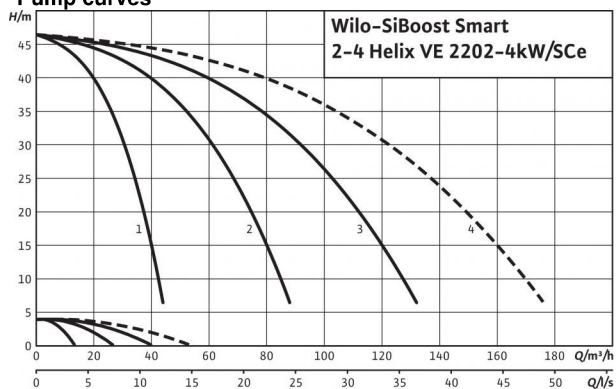


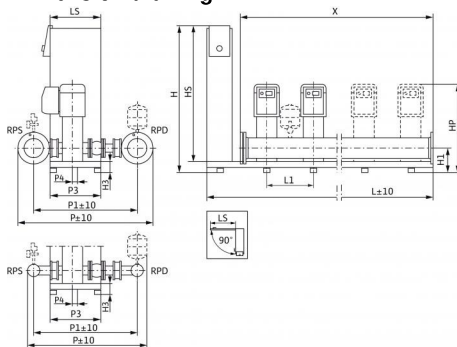
Data sheet: SiBoost Smart 2 Helix VE 2202-4

Pump curves



---- including standby pump

Dimension drawing



Sample systems are shown.

Accessories (to be ordered separately): Optional WMS low-water cut-out switchgear kit;

Installation surface: flat and horizontal

Installation location: dry, well ventilated and frost-proof

A working area of 1 m around the system is recommended in order to facilitate the maintenance process.

Power

| | |
|--|--------|
| Max. fluid temperature T | 50 °C |
| Max. ambient temperature T | 40 °C |
| Maximum operating pressure p_{max} | 16 bar |
| Nominal diameters of the pipe connections on suction side RPS | R 3 |
| Nominal diameters of pipe connections on the pressure side RPD | R 3 |
| Number of stages | 2 |
| No. of standby pumps | 1 |
| No. of duty pumps | 1 |

Motor

| | |
|--------------------------------------|---|
| Mains connection | 3~380/400/460 V, 50/60 Hz |
| Permitted voltage tolerance | 400/50:±/-10%_380/60:±/-10%_460/60:±/-10% % |
| Insulation class | F |
| Protection class | IP 55 |
| Rated power P_2 | 4.00 kW |
| Nominal current 3~400 V, 50 Hz I_N | 9.10 A |
| Nominal current 3~380 V, 60 Hz I | 9.60 A |
| Nominal current 3~460 V, 60 Hz I | 7.90 A |
| Motor efficiency $\eta_{m 50\%}$ | 89.0 % |
| Motor efficiency $\eta_{m 75\%}$ | 89.5 % |
| Motor efficiency $\eta_{m 100\%}$ | 89.5 % |

Materials

| | |
|-----------------|----------------------------------|
| Pump housing | EN-GJL-250 (cataphoretic-coated) |
| Pump shaft | 1.4057 [AISI431] |
| Impeller | 1.4307 [AISI304L] |
| Static seal | EPDM |
| Mechanical seal | Q1BE3GG |

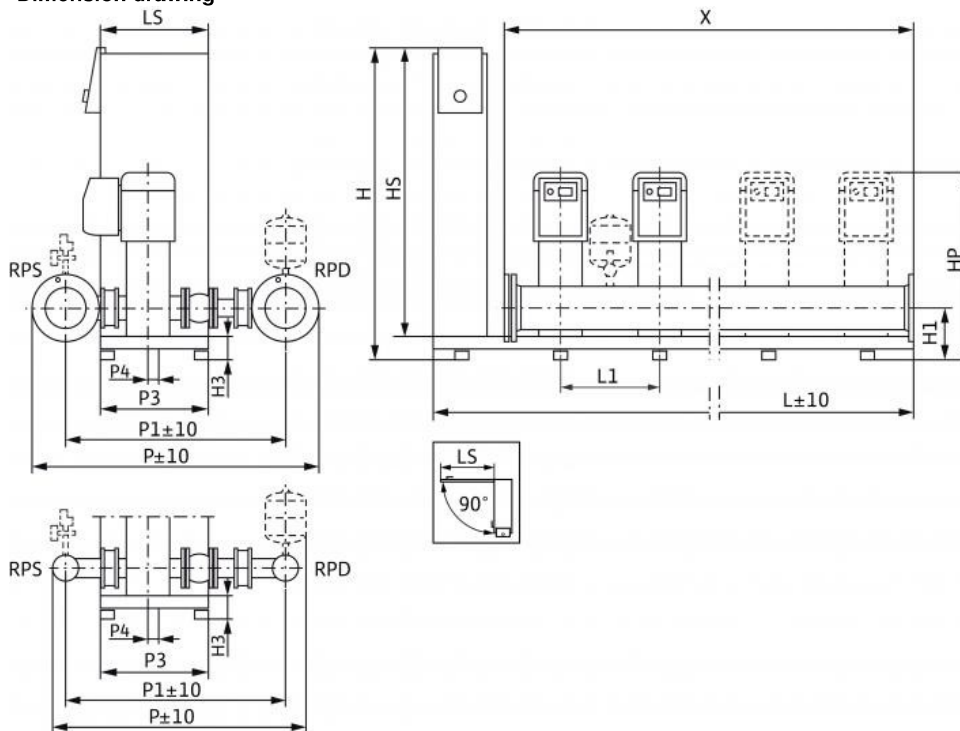
Information for order placements

| | |
|--------------------|---------------------------------|
| Make | Wilo |
| Type | SiBoost Smart 2 Helix VE 2202-4 |
| Art no. | 2540901 |
| Weight approx. m | 280 kg |

• = available, - = not available

Dimensions and dimensions drawings: SiBoost Smart 2 Helix VE 2202-4

Dimension drawing



Sample systems are shown.

Accessories (to be ordered separately): Optional WMS low-water cut-out switchgear kit;

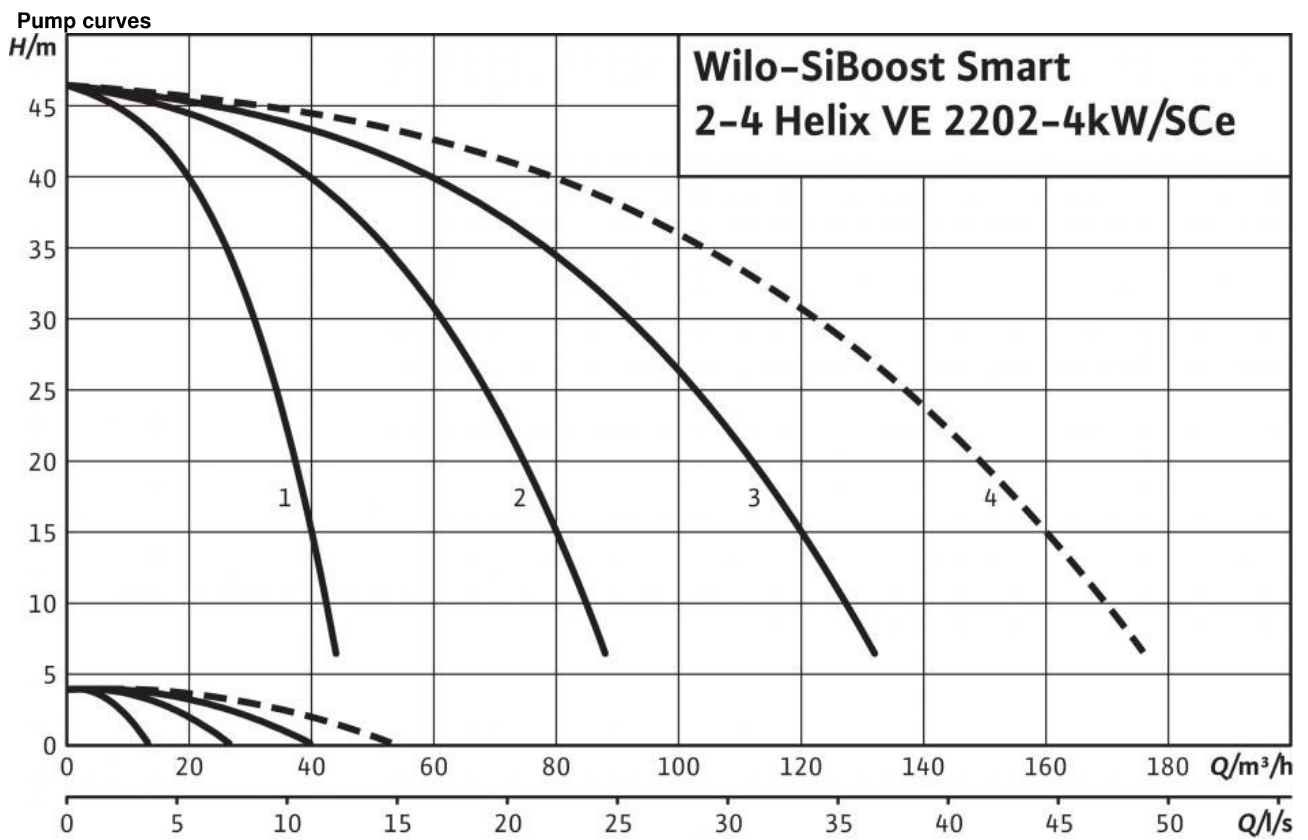
Installation surface: flat and horizontal

Installation location: dry, well ventilated and frost-proof

A working area of 1 m around the system is recommended in order to facilitate the maintenance process.

| | |
|---|---------|
| Nominal diameters of pipe connections on the pressure side <i>RPD</i> | R 3 |
| Nominal diameters of the pipe connections on suction side <i>RPS</i> | R 3 |
| Dimensions <i>H</i> | 1055 mm |
| Dimensions <i>H1</i> | 195 mm |
| Dimensions <i>H3</i> | 105 mm |
| Dimensions <i>HP</i> | 872 mm |
| Dimensions <i>HS</i> | 950 mm |
| Dimensions <i>L</i> | 850 mm |
| Dimensions <i>L1</i> | 300 mm |
| Dimensions <i>LS</i> | 400 mm |
| Dimensions <i>P</i> | 1113 mm |
| Dimensions <i>P1</i> | 966 mm |
| Dimensions <i>P3</i> | 420 mm |
| Dimensions <i>P4</i> | 30 mm |
| Dimensions <i>X</i> | 600 mm |

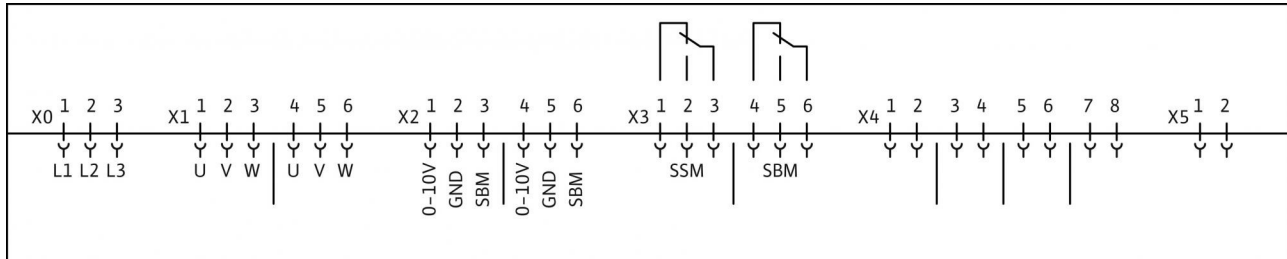
Pump curves: SiBoost Smart 2 Helix VE 2202-4



---- including standby pump

Terminal diagram: SiBoost Smart 2 Helix VE 2202-4

Terminal diagram Smart Controller SCe



x0: Mains connection x1: Power supply, pumps 1-3, pump 1; 4-6, pump 2

x2: Pump control 1-3, pump 1; 4-6, pump 2; etc.

x3: Potential-free contacts (signals) 1-3, SSM (collective fault signal); 4-6, SBM (collective run signal)

x4: Connections for sensor 1, sensor (In); 2, sensor (+) 3-4, external On/Off; 5-6, TLS (dry-running protection); 7-8, setpoint 2

x5: Analogue outputs 1-2, actual pressure (0...10 V)

Ordering information: SiBoost Smart 2 Helix VE 2202-4

| | |
|-----------------------------|---------------------------------|
| Make | Wilo |
| Type | SiBoost Smart 2 Helix VE 2202-4 |
| Art no. | 2540901 |
| EAN number | 4048482381145 |
| Colour | Green/black/silver |
| Minimum order quantity | 1 |
| Minimum order quantity unit | PCE |
| Weight (net) <i>kg</i> | 280 |
| Length (net) <i>mm</i> | 850 |
| Width (net) <i>mm</i> | 1113 |
| Height (net) <i>mm</i> | 1055 |
| Weight (gross) <i>kg</i> | 320 |
| Packaging type | One-way pallet |
| Packaging property | Transport packaging |
| Pieces per pallet | 1 |
| Number per layer | 1 |

Tender text: SiBoost Smart 2 Helix VE 2202-4

Compact pressure boosting system according to DIN 1988 and DIN EN 806, for direct or indirect connection. Consisting of non self-priming, switched in parallel, vertically-mounted stainless steel high-pressure centrifugal pumps in glanded versions, for which each pump is fitted with a frequency converter. Ready for connection with stainless steel pipework, mounted on a base frame, including control device with all necessary measurement and adjustment equipment.

For fully automatic water supply and pressure boosting in residential, commercial and public buildings, hotels, hospitals, department stores and for industrial systems.

For pumping drinking water, process water, cooling water, fire water (apart from fire-extinguishing systems in accordance with DIN 14462 and with the approval of the local fire safety authorities) or other types of industrial water that do not attack the materials either chemically or mechanically and do not contain abrasive or long-fibre constituents.

Special features/product benefits

- Heavy-duty system which satisfies all the requirements of DIN 1988 (EN 806)
- WRAS/ KTW/ ACS approval of the pumps for all parts that come in contact with the fluid (EPDM version)
- High-efficiency pump hydraulics of the Helix VE series in conjunction with IE4 IEC standard motors, fitted with air-cooled built-in frequency converters
- Energy-saving thanks to a super-proportionally wide control range of the frequency converter from 25 Hz up to a maximum of 60 Hz
- Integrated dry-running detection with automatic cut-out in event of low water via performance characteristics of the motor control electronics
- Bidirectional mechanical seals in the pumps for easy maintenance
- Flexible lantern design permits direct access to the mechanical seal
- The spacer coupling enables the mechanical seal to be replaced without dismantling the motor (from 7.5 kW)
- Hydraulics of entire system are pressure-loss optimised.
- Parts that come in contact with the fluid are corrosion-resistant
- SCe comfort control device, maximum degree of control with symbol-based LC display, simple navigation with clear menu and red-button technology for setting parameters for controlling the electronic pumps with frequency converters
- Factory inspection and default setting at optimum operating range (incl. acceptance test certificate based on EN10204 - 3.1)

Equipment/function

- Stainless steel high-pressure centrifugal pumps of the Helix VE series
- Base frame of electrolytically galvanised steel, with height-adjustable vibration absorbers for insulation against structure-borne noise
- Shut-off valve on the suction and pressure sides of each pump
- Non-return valve on the pressure side of each pump
- 8 litre diaphragm pressure vessel, PN16 including throughflow fitting to DIN 4807, pressure side
- Pressure sensor (4-20 mA), pressure side
- Pressure gauge, pressure side
- Automatic pump control by means of a fully electronic

Smart-Controller (SCe) in a sheet metal enclosure, protection class IP 54 consisting of an internal power supply unit, microprocessor with Soft PLC, analogue and digital inputs and outputs, for control of electronic pumps with frequency converters.

A working area of 1 m around the system is recommended in order to facilitate the maintenance process.

Operation/ display

- LC display (backlit) for display of the operating data, controller parameters, operating statuses of the pumps, error messages and history log
- Menu navigation with symbols and menu numbers
- LEDs for display of the system status (operation/fault)
- Factory-preset parameters for easy commissioning/start-up
- Configuration of operating parameters and acknowledgement of fault signals using red-button technology
- Lockable main switch
- Operation selectable with / without standby pump by customer service
- Elapsed time indicator for each pump and for entire system
- Switching cycle counter for each pump and for entire system
- Fault log for the last 16 faults

Control

- Fully automatic control for 1 to 4 frequency-controlled pumps by means of setpoint/actual value comparison
- Setpoint changeover: 2nd setpoint can be activated by contact
- External remote setpoint adjustment by 4...20 mA signal
- Automatic, load-sensitive cut-in of 1 to n peak-load pump(s) depending on the pressure - constant, p-c control variable
- 2 parameter sets selectable, easy menu (setpoint & control mode) or expert menu (operation and control parameters)
- Operating mode of the pumps freely selectable (manual, off, automatic)
- Automatic, configurable pump cycling
 - Standard setting: Impulse - The base-load pump is cycled at each new demand, regardless of operating hours
 - Alternative: Pump cycling dependent on operating hours, cycling of the base-load pump after the specified operating hours
- Automatic, configurable pump test run (pump kick)
 - Can be activated/deactivated
 - Time between two test runs is freely programmable
- Disabling times can be programmed as desired
- Speed can be adjusted as desired

Tender text: SiBoost Smart 2 Helix VE 2202-4

Monitoring

- Actual value of the system is output via a 0-10 Volt analogue signal for external measurement / display applications, 10 Volt depending on the sensor range value
- 4-20mA sensor signal (conductivity test of the sensor cable) for control variable actual value
- The pump mains power feed is protected via the circuit breaker
- Automatic changeover to the standby pump in the event of a operating pump fault
- Monitoring of maximum and minimum system values with adjustable time delays and limits
- Zero-flow test for switching off the system when no water is being drawn off (adjustable parameters)
- Pipe filling function for filling empty pipes (initial filling of the consumer network)
- Protection against low water level via contact e.g. for float switch or pressure switch

Interfaces

- Potential-free contacts for SBM/SSM collective operation and collective fault signals
- Logical reversal can be applied to SBM and SSM
- Contacts for external on/off, low water and 2nd Setpoint
- External on/off via contact for deactivation of the system's automatic mode

Optional accessories (factory installation or retrofitting after technical checks)

- Manual-0-Automatic switch Preselection of the operating mode of each pump and manual operation in the event of a controller fault "Manual" (emergency/test mode available at mains power, motor protection available), "O" (pump switched off – cannot be switched on using the controller) and "Auto" (pump enabled for automatic mode via the controller)
- Evaluation relay for PTC motor protection
- Individual operation and fault signal, low-water signal
- Signal converter for 0/ 2-10V to 0/ 4-20mA
- Soft starter for peak-load pumps
- Connection to BMS systems in accordance with VDI 3814

Recommended accessories (to be ordered separately)

- Optional WMS low-water cut-out switchgear kit;
- Flexible connection lines or expansion joints
- Break tank for system separation
- Diaphragm pressure vessel
- Threaded caps for systems with threaded joint tubing

Bus systems (optional)

- BACnet, LON bus, Modbus RTU

Standards followed

- Specifications for drinking water installations (TRWI) DIN 1988 (EN806)
- Diaphragm pressure vessel/ diaphragm expansion tank DIN 4807
- Electronic Equipment for Use in Power Installations EN 50178
- Electrical Equipment of Machines EN 60204-1
- Household and Similar Electrical Appliances - Safety EN 60335-1
- Low-voltage switchgear combinations EN 60439-1/ 61439-1
- EMC - Immunity for Industrial Environments EN 61000-6-2
- EMC - Emission Standard for Residential, Commercial and Light-Industrial Environments (EN 61000-6-3)

Power

Max. fluid temperature T: 50 °C

Max. ambient temperature T: 40 °C

Standard version for operating pressure p_{max} : 16 bar

Number of stages: 2

No. of standby pumps: 1

No. of duty pumps: 1

Tender text: SiBoost Smart 2 Helix VE 2202-4

Motor

Mains connection: 3~380/400/460 V, 50/60 Hz

Permitted voltage tolerance: 400/50:±/-10%_380/60:±/-10%_460/60:±/-10% %

Insulation class: F

Protection class: IP 55

Rated power P_2 : 4.00 kW

Nominal current 3~400 V, 50 Hz I_N : 9.10 A

Nominal current 3~380 V, 60 Hz I : 9.60 A

Nominal current 3~460 V, 60 Hz I : 7.90 A

Motor efficiency $\eta_{m 50\%}$: 89.0 %

Motor efficiency $\eta_{m 75\%}$: 89.5 %

Motor efficiency $\eta_{m 100\%}$: 89.5 %

Materials

Pump housing: EN-GJL-250 (cataphoretic-coated)

Pump shaft: 1.4057 [AISI431]

Impeller: 1.4307 [AISI304L]

Static seal: EPDM

Mechanical seal: Q1BE3GG

Connections

Nominal diameters of the pipe connections on suction side *RPS*: R 3

Nominal diameters of pipe connections on the pressure side *RPD*: R 3

Information for order placements

Weight approx. *m*: 280 kg

Type: SiBoost Smart 2 Helix VE 2202-4

Art no.: 2540901