

Application

- It can be used to transfer clean water or other liquids similar to water in physical and chemical properties.
- It is suitable for water supply and drainage in garden irrigation, greenhouses, fish breeding and poultry raising. The pump also can be used for domestic automatic water supply places, such as lifting water from a deep well, pressure boosting of running water, etc.

Pump

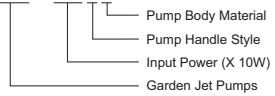
- Unique ergonomic design
- Max. fluid temperature: +35°C
- Max. suction: +8 m

Motor

- C&U bearing
- Built-in thermal protector
- Aluminum winding
- Insulation class: F
- Protection class: IPX4
- Max. ambient temperature: +40°C

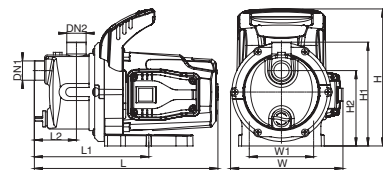
Identification Codes

LKJ - 80 1 S



Technical Data

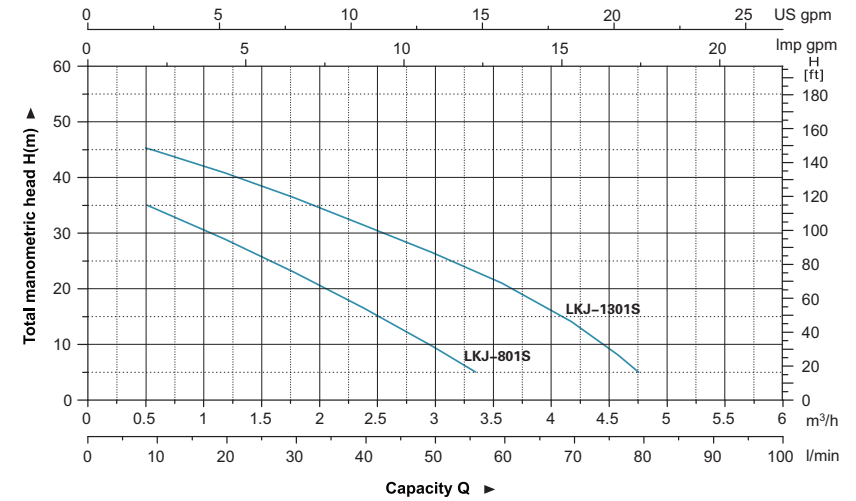
MODEL	POWER (P ₂)		Q (m ³ /h)		H (m)											
	W	HP	Q	l/min	0	0.6	1.2	1.8	2.4	3	3.6	4.2	4.8	5.4	6	
LKJ-801S	800	1			39	34.5	29	23	16.5	9.5	-	-	-	-	-	
LKJ-1301S	1300	1.75			48	45	41	36.5	31.5	26.5	21	14	8	-	-	



Dimension

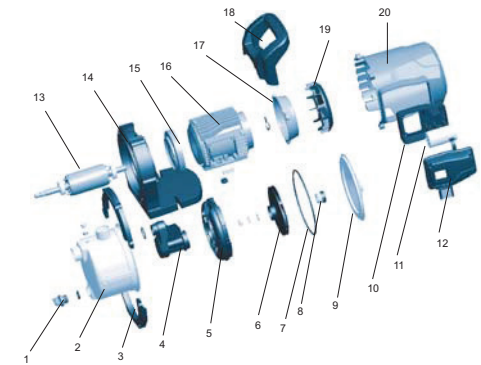
Model	DN1	DN2	L (mm)	W (mm)	H (mm)	L1 (mm)	L2 (mm)	W1 (mm)	H1 (mm)	H2 (mm)
LKJ-801S	1"	1"	342.5	210	255.5	213.5	78.5	120	193.5	140.5
LKJ-1301S			369.5	243.5	284	222.5	87.5	120	215	165

Hydraulic Performance Curve



Materials Table

No.	Part	Material
1	Drain plug	PP
2	Pump body	AISI 304
3	Holder	PP
4	Injector	PPO
5	Diffuser	PPO
6	Impeller	PPO
7	O-ring	NBR
8	Mechanical seal	Carbon/ceramic
9	Bracket cover	AISI 304
10	Terminal board	ABS
11	Capacitor	
12	Switch cover	ABS
13	Rotor	
14	Motor flange	PP
15	Front plate	ZL102
16	Stator	
17	End plate	ZL102
18	Handle	PP
19	Fan	PP
20	Fan cover	ABS



Package Information

Model	GW (Kgs)	L (mm)	W (mm)	H (mm)	Quantity		
					20'/pcs	40'/pcs	40H'/pcs
LKJ-801S	7.7	375	230	280	1232	2512	2826
LKJ-1301S	10.6	395	260	305	868	1778	2032