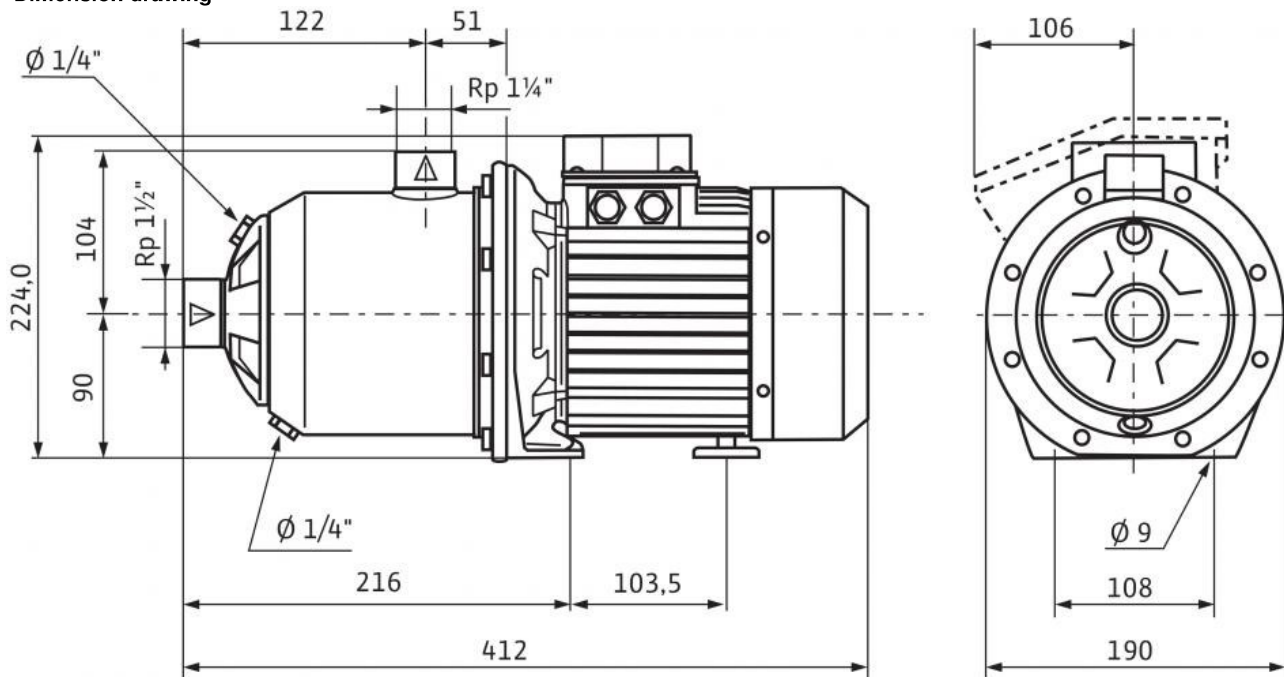




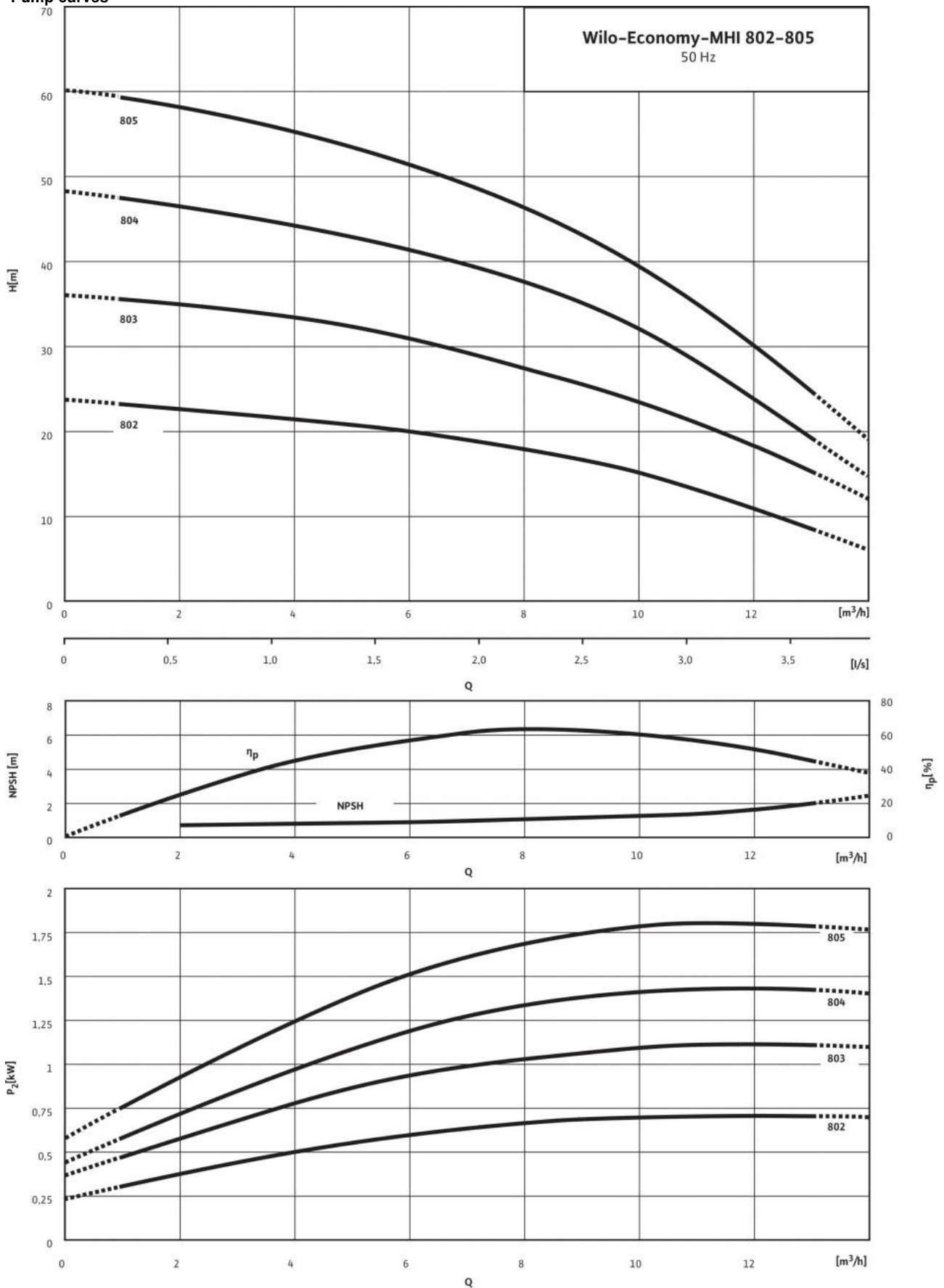
**Dimensions and dimensions drawings: Economy MHI 803 (1~230 V, FKM)**

Dimension drawing



## Pump curves: Economy MHI 803 (1~230 V, FKM)

Pump curves



## Ordering information: Economy MHI 803 (1~230 V, FKM)

Make	Wilo
Type	MHI 803
Art no.	4015698
EAN number	4016322528999
Colour	green/silver
Minimum order quantity	1
Minimum order quantity unit	PCE
Weight (net) <i>kg</i>	14.5
Length (net) <i>mm</i>	412
Width (net) <i>mm</i>	190
Height (net) <i>mm</i>	224
Weight (gross) <i>kg</i>	16
Length (gross) <i>mm</i>	600
Width (gross) <i>mm</i>	260
Height (gross) <i>mm</i>	280
Packaging type	One-way pallet
Packaging property	Transport packaging
Pieces per pallet	1
Number per layer	1

## Tender text: Economy MHI 803 (1~230 V, FKM)

Multistage, non-self-priming, horizontal high-pressure centrifugal pump in block design with horizontal suction- and vertical pressure port.

The pump has a compact design with a continuous motor pump shaft and a bidirectional mechanical seal.

The pump is suitable for water supply and pressure boosting, industrial recirculation systems, process water and closed cooling circuits. It can also be used in washing systems, irrigation as well as for water treatment.

### Special features/product advantages

- Space-saving, compact block design
- All hydraulic parts which come into contact with the fluid, such as stage chambers, impellers and guide vanes and the pump housing are made of stainless steel
- Drinking water approval (ACS, KTW, WRAS) for all components in contact with the fluid (EPDM version)

### Scope of delivery

- Wilo-Economy MHI high-pressure multistage centrifugal pump
- Installation and operating instructions

### Design notes

- Motor protection for three-phase AC motor is optional or to be provided on-site
- Single-phase AC motor equipped with built-in thermal motor protection and capacitor

### Materials

Impeller: 1.4404 [AISI316L]  
Pump housing: 1.4404 [AISI316L]  
Pump shaft: 1.4404 [AISI316L]  
Static seal: FKM  
Mechanical seal: Q1BVG

### Power

Fluid temperature  $T$ : -15 ... 90 °C  
Max. ambient temperature  $T$ : 40 °C  
Inlet pressure max.  $H$ : 6 bar

### Motor

Insulation class: F  
Protection class: X4  
Mains connection: 1~230 V, 50 Hz  
Rated power  $P_2$ : 1.10 kW  
Power consumption  $P_1$ : 1.51 kW  
Nominal current 1~230 V, 50 Hz  $I_N$ : 7.2 A  
Motor efficiency  $\eta_{m 50\%}$ : 56.9 %  
Motor efficiency  $\eta_{m 75\%}$ : 64.3 %  
Motor efficiency  $\eta_{m 100\%}$ : 67.2 %

### Connections

Nominal diameter of pipe connections on suction side  $R_p$ : 1½  
Nominal diameter of pipe connections on pressure side  $R_p$ : 1¼

### Information for order placements

Make: Wilo  
Type: MHI 803  
Art no.: 4015698  
Weight approx.  $m$ : 14.5 kg