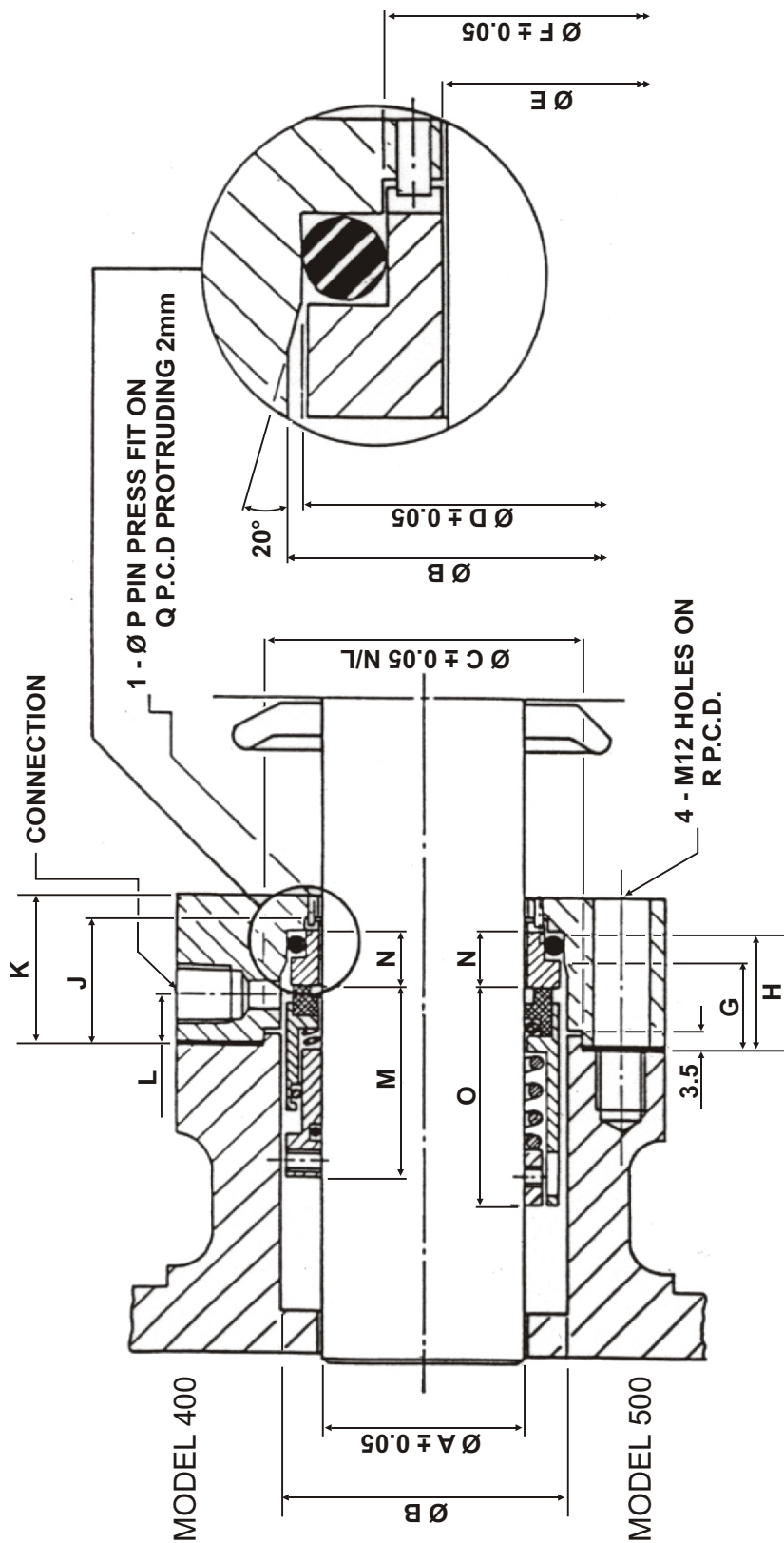




MECHANICAL SEAL DETAIL
(EURO DIN 502)

HD RANGE



PUMP SIZE	SEAL SIZE	ØA	ØB	ØC	ØD	ØE	ØF	G	H	J	K	L	M	N	O	P	Q	R
7, 10M & H, 20M & H	35	35	55	60	50	36	44	18	24	26.5	32	10	43	12	43	1.6	42.1	76
10L, 20L	35	35	55	60	50	36	44	18	24	26.5	32	10	43	12	43	1.6	42.1	76
45M, 60M, 60H	45	45	65	72	63	46	54	18	25	27.5	33	10	43	13	49	2	51.3	90
45L	45	45	65	72	63	46	54	18	25	27.5	33	10	43	13	49	2	51.3	90
115M, 115H, 115M	65	65	89	100	85	66.5	76	18	25	27.5	33	10	50	13	N/A	3	72	120

DATE: 01/06/06

DATA SHEET. D136