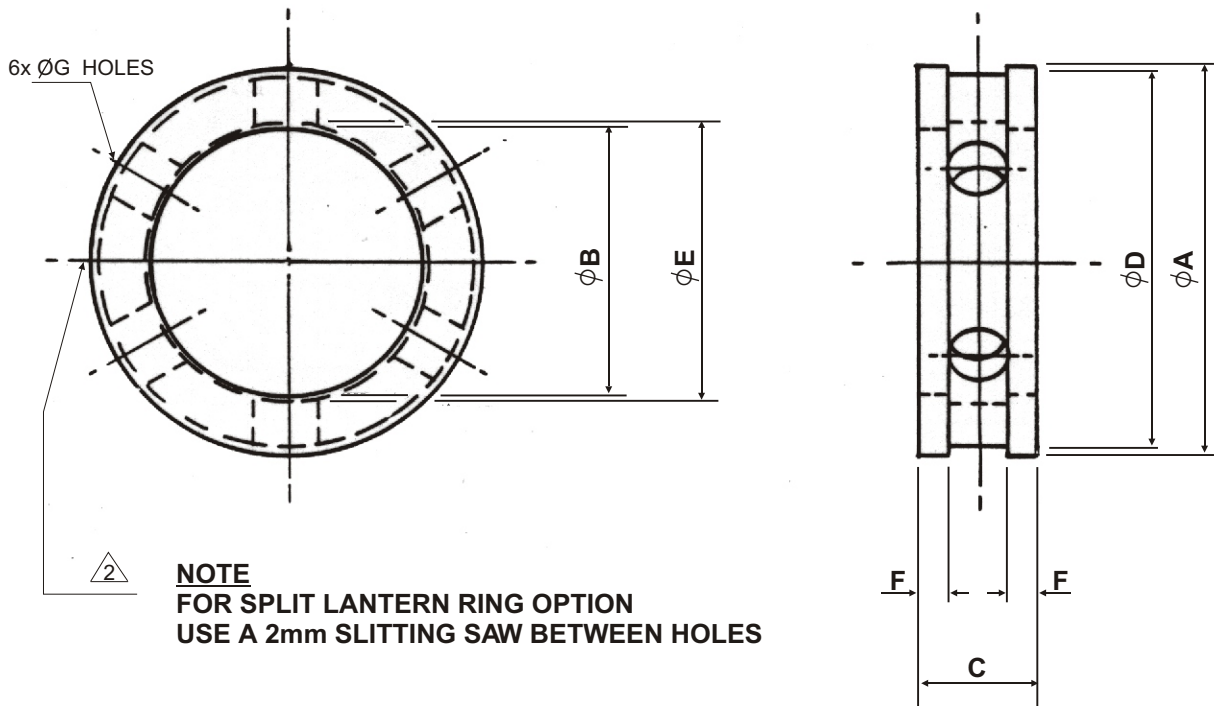




LANTERN RING DETAILS

M-RANGE



DIMENSIONS OF LANTERN RING							
PUMP	ØA	ØB	C	ØD	ØE	F	ØG
22M	42.0	30.2					
31M	41.8	30.3	12	40.5	31.5	2	6
32M							
41M	51.0	35.2	16	49.5	36.5	3	8
42M	50.8	35.3					
61M	65.0	45.2	20	63	47	4	10
62M	64.8	45.3					
71M	85.0	65.2	20	83	67	4	10
72M	84.8	65.3					
81M							
82M	100.0	80.2	20	98	82	4	10
91M	99.8	80.3					
92M							

DATE: 01/06/06

DATA No. D112