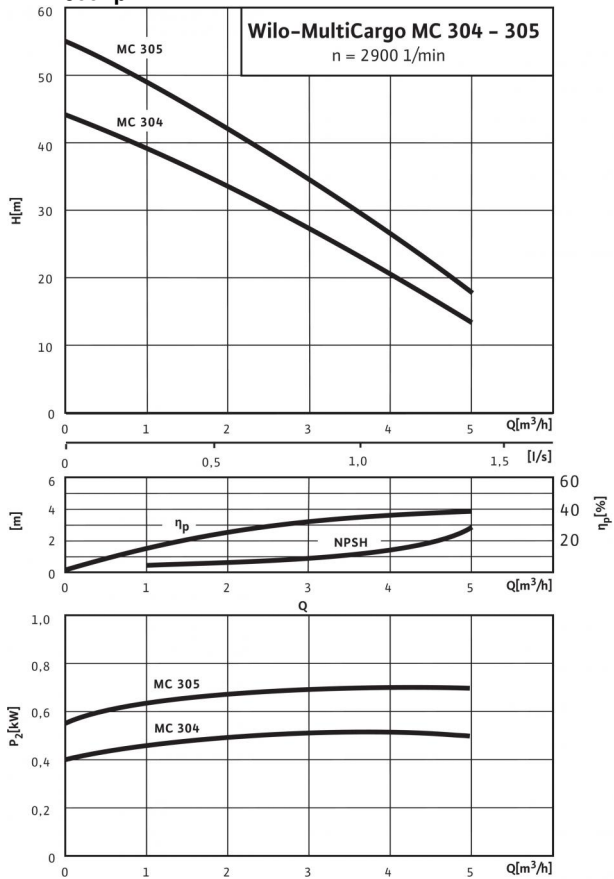
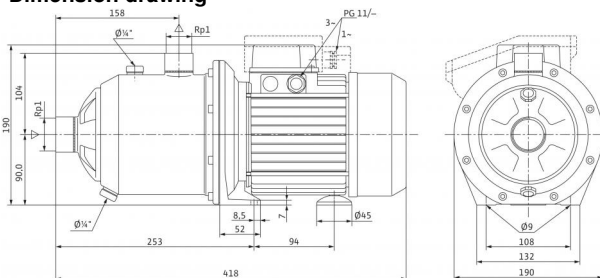


Data sheet: MultiCargo MC 304 (3~230/400 V)

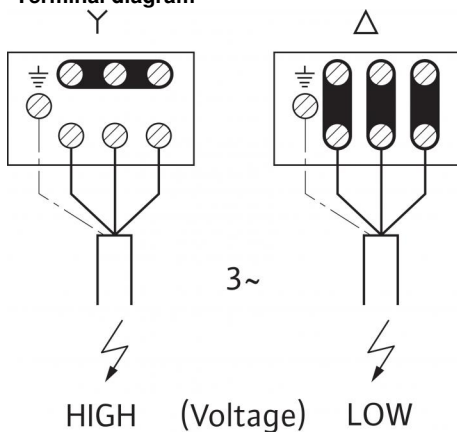
Pump curves n = 2900 rpm



Dimension drawing



Terminal diagram



Approved fluids (other fluids on request)

Pure water without settling sediment
 Process water, cold water, cooling water, rainwater

Output

Max. suction head H 8 m
 Inlet pressure max. H 4 bar
 Fluid temperature T +5...+35 °C
 Max. ambient temperature T 40 °C
 Standard version for operating pressure p_{max} 8 bar
 Rated speed n 2,900 rpm

Motor/electronics

Protection class IP 54
 Insulation class F
 Screwed cable connection 1x11 PG
 Power consumption P_1 0.84 kW
 Mains connection 3~230/400 V, 50 Hz

Pipe connections

Nominal connection diameter on the pressure side Rp 1
 Nominal connection diameter on suction side Rp 1

Materials

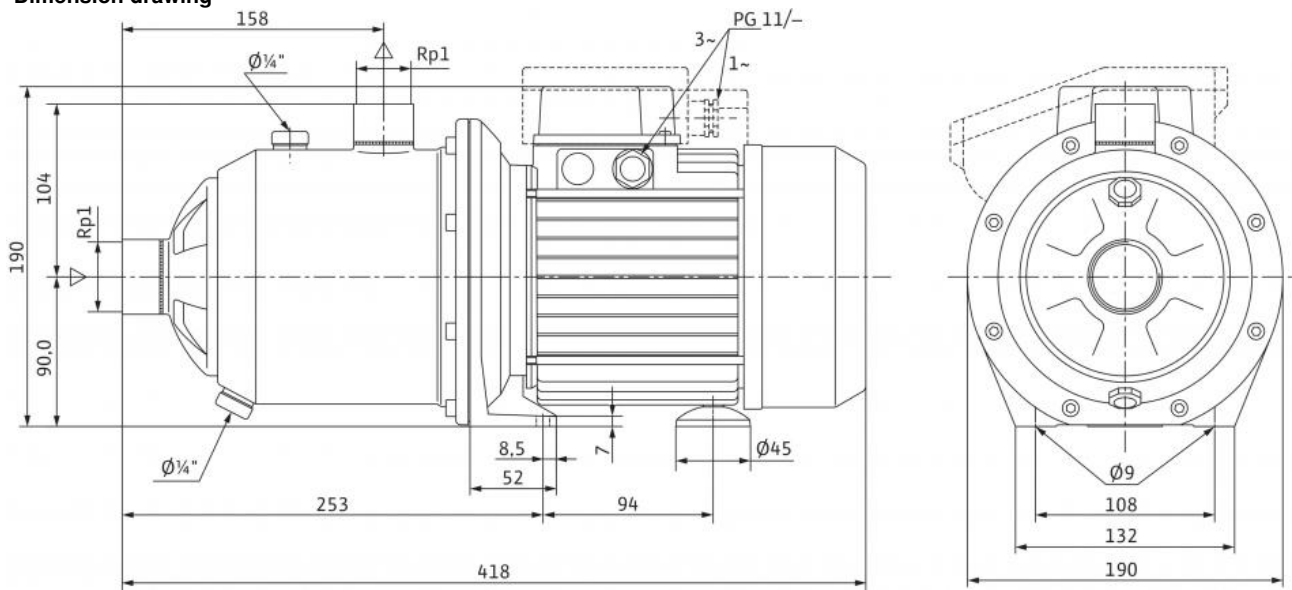
Pump housing 1.4301
 Impeller Noryl
 Pump shaft 1.4028 [AISI420F]
 Mechanical seal Carbon/ceramic
 Stage chambers Noryl
 Seal NBR

Information for order placements

Make Wilo
 Type MC 304
 Art no. 4041177
 Weight approx. m 9.3 kg

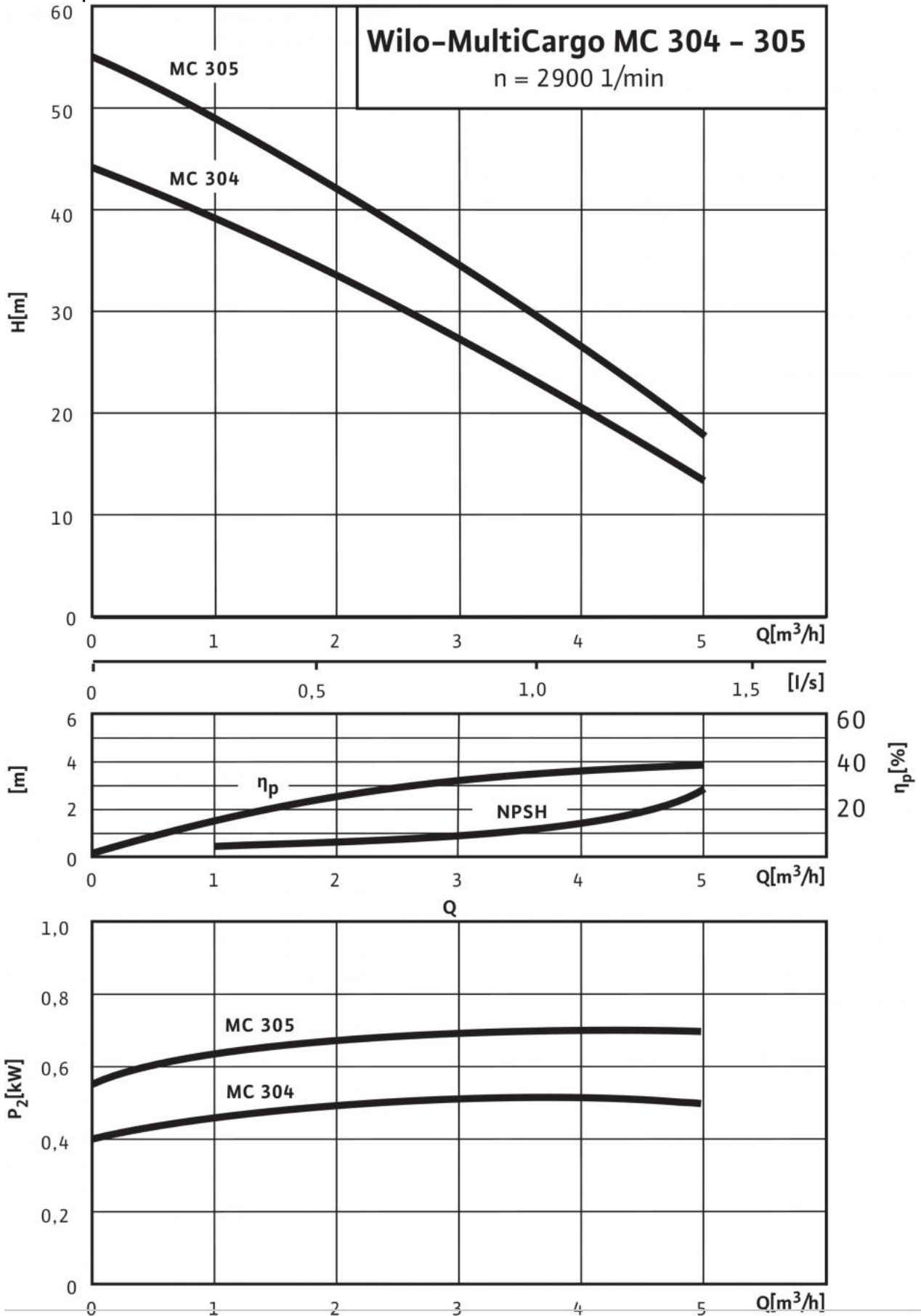
Dimensions and dimensions drawings: MultiCargo MC 304 (3~230/400 V)

Dimension drawing



Pump curves: MultiCargo MC 304 (3~230/400 V)

Pump curves
n = 2900 rpm



Ordering information: MultiCargo MC 304 (3~230/400 V)

Art no.	4041177
EAN number	4016322482505
Colour	green/silver
Minimum order quantity	1
Minimum order quantity unit	PCE
Weight (net) <i>kg</i>	9.3
Length (net) <i>mm</i>	418
Width (net) <i>mm</i>	190
Height (net) <i>mm</i>	190
Weight (gross) <i>kg</i>	10.8
Length (gross) <i>mm</i>	600
Width (gross) <i>mm</i>	260
Height (gross) <i>mm</i>	280
Packaging type	One-way pallet
Packaging property	Sales packaging
Pieces per pallet	1
Number per layer	1

Tender text: MultiCargo MC 304 (3~230/400 V)

Multistage, low-noise, self-priming, horizontal high pressure centrifugal pump with block design with horizontal suction and vertical pressure port. Innovative hydraulic suction tract. With continuous motor pump shaft and bidirectional mechanical seal. Directly flanged three-phase or AC motor.

Onsite motor protection required for three-phase AC motor.

For AC motor, built-in thermal motor protection and condenser.

All parts that come into contact with the fluid are corrosion-proof.

Materials

Pump housing: 1.4301

Impeller: Noryl

Pump shaft: 1.4028 [AISI420F]

Mechanical seal: Carbon/ceramic

Stage chambers: Noryl

Seal: NBR

Approved fluids (other fluids on request)

Pure water without settling sediment: •

Process water, cold water, cooling water, rainwater: •

Rainwater: •

Output

Max. suction head H : 8 m

Inlet pressure max. H : 4 bar

Fluid temperature T : +5...+35 °C

Max. ambient temperature T : 40 °C

Standard version for operating pressure p_{\max} : 8 bar

Mains connection 3~, standard version: 230/400 V

3~ mains connection alternative application at no extra charge U : 230 V

Mains frequency f : 50 Hz

Rated speed n : 2,900 rpm

Motor/electronics

Protection class: IP 54

Insulation class: F

Screwed cable connection: 1x11 PG

Power consumption P_1 : 0.84 kW

Pipe connections

Nominal connection diameter on the pressure side: Rp 1

Nominal connection diameter on suction side: Rp 1

Information for order placements

Weight approx. m : 9.3 kg

Type: MC 304

Art no.: 4041177