



Application

- Civil engineering
- Mines, quarries, Coal ore & slurries
- Sewage treatment plants
- General pumping purposes

Pump

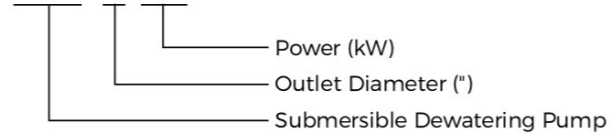
- Max. liquid temperature: +40°C
- Flow: up to 156 m³/h
- Head: up to 57 m
- Power: 1.5 kW (2 HP) to 15 kW (20 HP)
- Max. Immersion depth: 25 m
- Cable Length: 8 m

Motor

- Copper winding
- Insulation class: B
- Enclosures class: IP68

Identification Codes

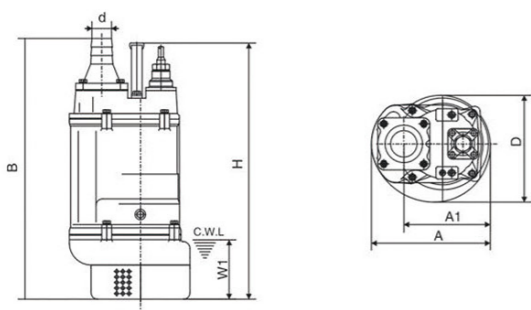
KBZ 4 7.5



Technical Data

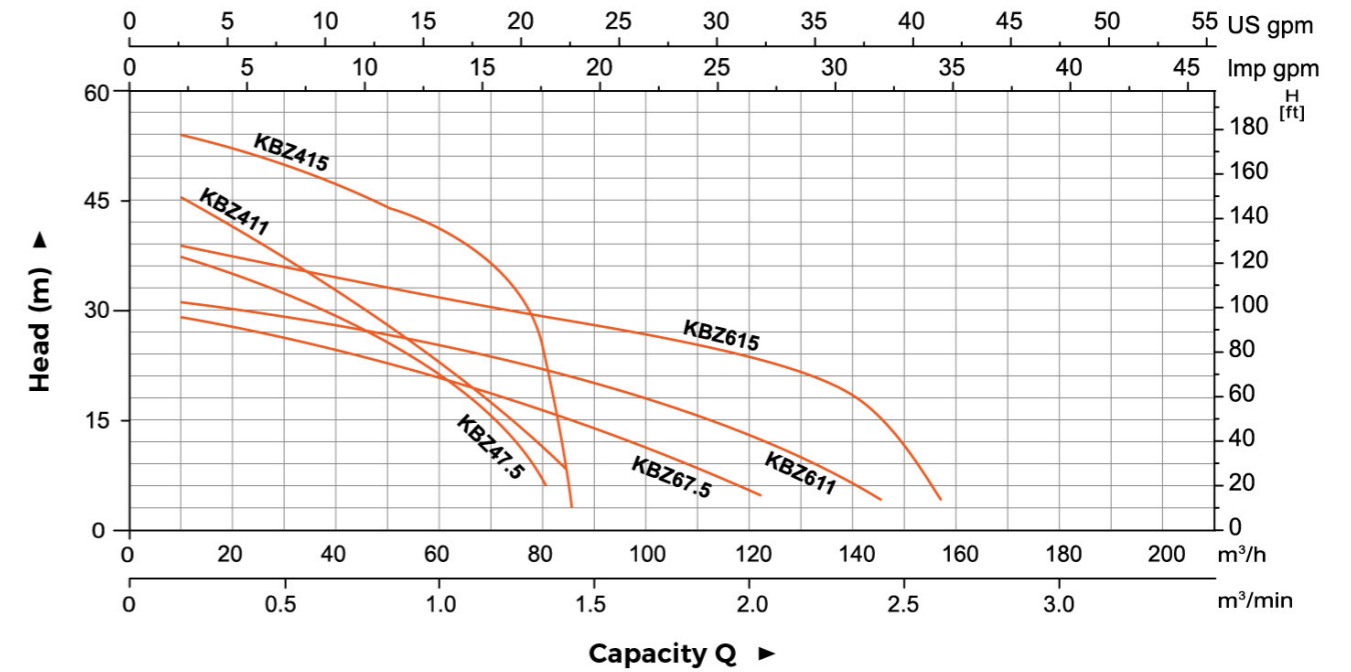
Model	Power		Discharge mm	Max. flow		Max. head m	Max. Solid Dia mm
	kW	HP		m ³ /h	l/min		
KBZ47.5	7.5	10	100	84	1400	40	11.5
KBZ411	11	15	100	84	1400	48.5	11.5
KBZ415	15	20	100	84	1400	56	11.5
KBZ67.5	7.5	10	150	124.8	2080	31	19.5
KBZ611	11	15	150	147	2450	32	19.5
KBZ615	15	20	150	156	2600	40	19.5

Dimension



Model	d (mm)	A (mm)	A1 (mm)	B (mm)	D (mm)	H (mm)	W1 (mm)
KBZ47.5	100	330	240	764	314	676	190
KBZ411	100	373	255	807	350	695	190
KBZ67.5	150	330	240	790	314	676	190
KBZ611	150	373	255	807	350	695	190
KBZ415	100	373	255	842	350	755	190
KBZ615	150	373	255	842	350	755	190

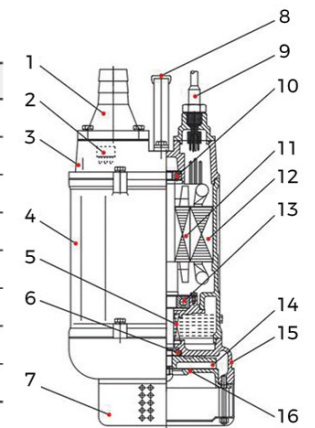
Hydraulic Performance Curves



Material Table

No.	Part	Material
1	Hose coupling	Cast iron
2	Thermal protector	
3	Upper cover	Cast iron
4	Motor cover	Cast iron
5	Oil seal	
6	Mechanical seal	Lower: Sic-Sic Upper: Carbon-Sic (≤2.2kW) Lower: Sic-Sic Upper: Sic-Sic (≥3.7kW)
7	Strainer	Steel
8	Handle	Steel

No.	Part	Material
9	Cable	
10	Bearing	
11	Rotor	
12	Stator	
13	Bearing	
14	Impeller	High chrome alloy
15	Pump body	Cast iron
16	Inlet plate	Ductile iron



Package Information

Model	N.W (kg)	GW (kg)	L (mm)	W (mm)	H (mm)	Quantity (PCS/20' TEU)
KBZ47.5	105	114	805	365	390	215
KBZ411	130	140	895	415	440	160
KBZ415	142	153	895	415	440	160
KBZ67.5	106	114	835	365	390	205
KBZ611	133	143	855	415	440	160
KBZ615	145	156	895	415	440	160