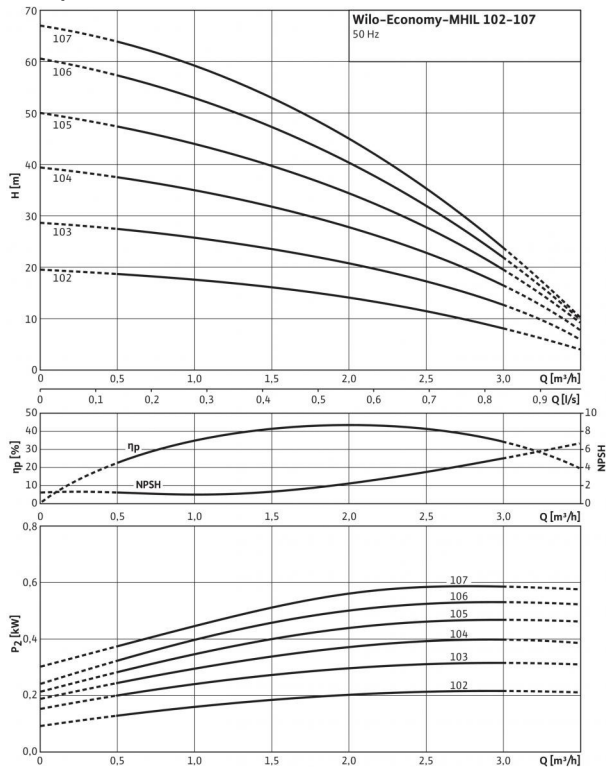


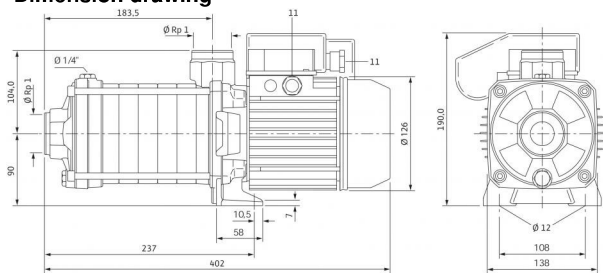
## Data sheet: Economy MHIL 106 (3~400 V)

### Pump curves

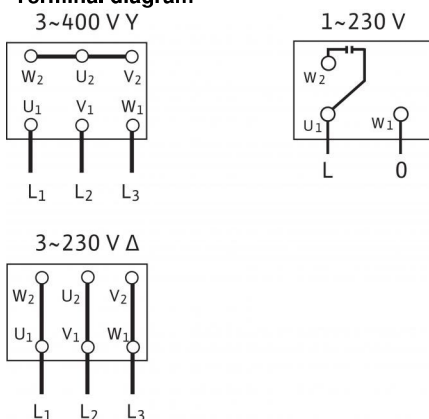


Pump curves in accordance with ISO 9906, class 2

### Dimension drawing



### Terminal diagram



### Approved fluids

Drinking water, heating water, process water	•
Condensate	-
Water/glycol mixtures (max. 40 %; with admixtures exceeding 10 %, the pumping data must be checked)	•
Other low viscous fluids (without abrasive or long-fibre constituents, provided they do not corrode the materials used)	•

### Power

Fluid temperature $T$	-15...+90 °C
Max. ambient temperature $T$	40 °C
Rated pressure	PN bar
Inlet pressure max. $H$	6 bar
Maximum operating pressure $p_{max}$	10 bar
Nominal speed $n$	2900 rpm

### Motor

Insulation class	F
Protection class	IP 54
Mains connection	3~400 V, 50 Hz
Rated power $P_2$	0.55 kW
Power consumption $P_1$	0.84 kW
Nominal current 3~230 V, 50 Hz $I_N$	2.7 A
Nominal current 3~400 V, 50 Hz $I_N$	1.56 A
Motor efficiency $\eta_{m 50\%}$	59.0 %
Motor efficiency $\eta_{m 75\%}$	64.3 %
Motor efficiency $\eta_{m 100\%}$	64.6 %

### Connections

Rated pressure level (on the pressure side) $PN$	PN 10
Rated pressure level (on the suction side) $PN$	PN 10

### Materials

Impeller	1.4301 [AISI304]
Stage chambers	1.4301 [AISI304]
Pump housing	EN-GJL-250 (cataphoretic-coated)
Pump shaft	1.4028 [AISI420F]
Housing cover	EN-GJL-250 (cataphoretic-coated)
Lower housing section	EN-GJL-250 (cataphoretic-coated)
Pressure shroud	-
Bearing	Tungsten carbide
Pump base	EN-GJL-250 (cataphoretic-coated)
Pump base (in contact with the fluid)	-
Static seal	EPDM
Mechanical seal	BQ1E3GG

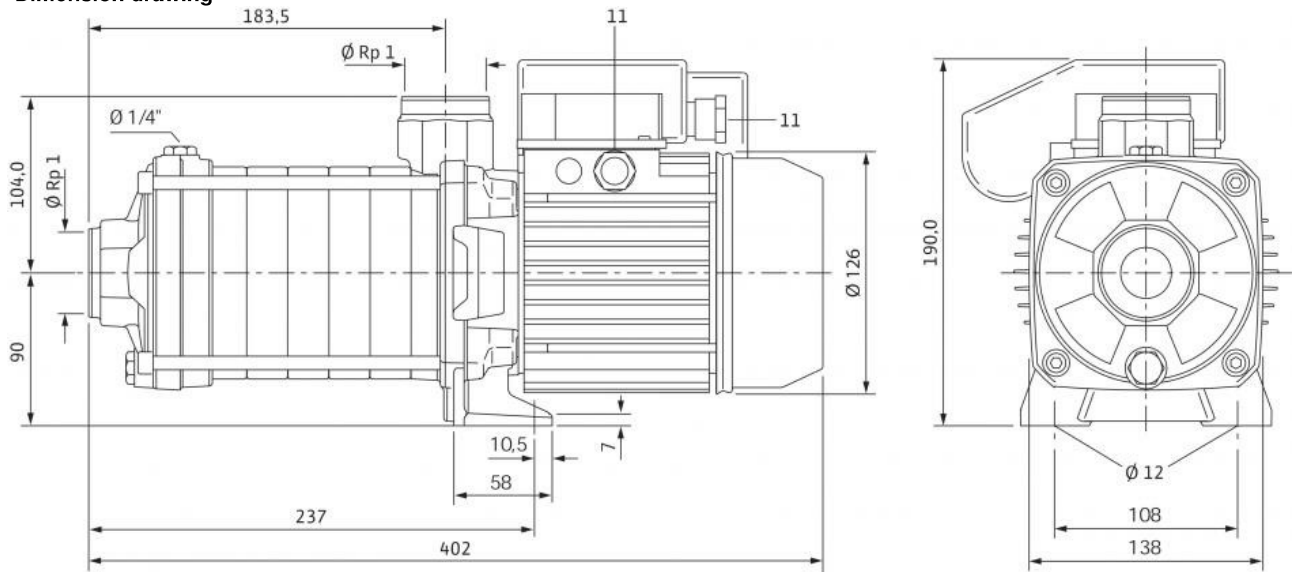
### Information for order placements

Make	Wilo
Type	MHIL 106
Art no.	4083891
Weight approx. $m$	13.7 kg

• = available, - = not available

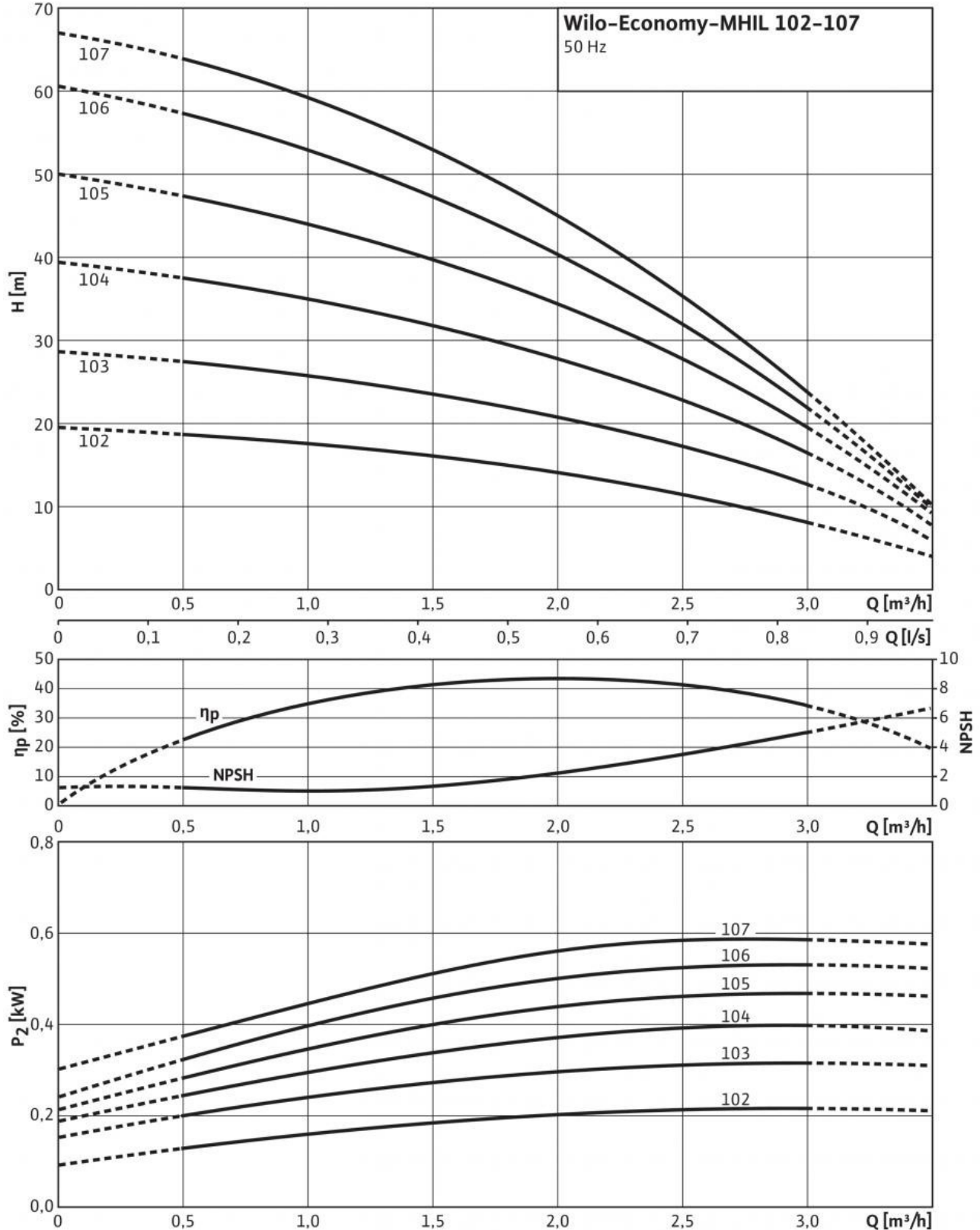
**Dimensions and dimensions drawings: Economy MHIL 106 (3~400 V)**

**Dimension drawing**



## Pump curves: Economy MHIL 106 (3~400 V)

Pump curves



Pump curves in accordance with ISO 9906, class 2

## Ordering information: Economy MHIL 106 (3~400 V)

Make	Wilo
Type	MHIL 106
Art no.	4083891
EAN number	4016322721130
Colour	Green/black/silver
Minimum order quantity	1
Minimum order quantity unit	PCE
Weight (net) <i>kg</i>	13.7
Length (net) <i>mm</i>	402
Width (net) <i>mm</i>	138
Height (net) <i>mm</i>	190
Weight (gross) <i>kg</i>	15.2
Length (gross) <i>mm</i>	600
Width (gross) <i>mm</i>	260
Height (gross) <i>mm</i>	280
Packaging type	One-way pallet
Packaging property	Transport packaging
Pieces per pallet	1
Number per layer	1

## Tender text: Economy MHIL 106 (3~400 V)

Multistage, non-self-priming, horizontal high-pressure centrifugal pump in block design with horizontal suction- and vertical pressure port.

The pump has a compact design with a continuous motor pump shaft and a bidirectional mechanical seal. Stage chambers, impellers and diffusers are made of stainless steel and pump housing is made of cataphoretic-coated cast iron.

It is suitable for water supply and pressure boosting, industrial recirculation systems, process water and cooling water circuits. It can also be used in washing systems as well as for irrigation.

### Special features/product advantages

- Space-saving, compact block design

### Scope of delivery

- Wilo-MHIL high-pressure multistage centrifugal pump
- Installation and operating instructions

### Design notes

- Motor protection for three-phase AC motor is optional or to be provided on-site
- Single-phase AC motor equipped with built-in thermal motor protection and capacitor

### Materials

Impeller: 1.4301 [AISI304]  
 Stage chambers: 1.4301 [AISI304]  
 Pump housing: EN-GJL-250 (cataphoretic-coated)  
 Pump shaft: 1.4028 [AISI420F]  
 Housing cover: EN-GJL-250 (cataphoretic-coated)  
 Lower housing section: EN-GJL-250 (cataphoretic-coated)  
 Pressure shroud: –  
 Bearing: Tungsten carbide  
 Pump base: EN-GJL-250 (cataphoretic-coated)  
 Pump base (in contact with the fluid): –  
 Static seal: EPDM  
 Mechanical seal: BQ1E3GG

### Approved fluids

Drinking water, heating water, process water: •

Condensate: -

Water/glycol mixtures (max. 40 %; with admixtures exceeding 10 %, the pumping data must be checked): •

Other low viscous fluids (without abrasive or long-fibre constituents, provided they do not corrode the materials used): •

### Power

Fluid temperature  $T$ : -15...+90 °C  
 Max. ambient temperature  $T$ : 40 °C  
 Operating pressure: 10 bar  
 Inlet pressure max.  $H$ : 6 bar  
 Nominal speed  $n$ : 2900 rpm

### Motor

Insulation class: F  
 Protection class: IP 54  
 Mains connection: 3~400 V, 50 Hz  
 Rated power  $P_2$ : 0.55 kW  
 Power consumption  $P_1$ : 0.84 kW  
 Nominal current 3~230 V, 50 Hz  $I_N$ : 2.7 A  
 Nominal current 3~400 V, 50 Hz  $I_N$ : 1.56 A  
 Motor efficiency  $\eta_{m 50\%}$ : 59.0 %  
 Motor efficiency  $\eta_{m 75\%}$ : 64.3 %  
 Motor efficiency  $\eta_{m 100\%}$ : 64.6 %

### Connections

Nominal diameter of pipe connections on suction side  $R_p$ : 1  
 Nominal diameter of pipe connections on pressure side  $R_p$ : 1  
 Flange connections PN 16/PN 25  $DN$ : –  
 Victaulic connections: –

**Tender text: Economy MHIL 106 (3~400 V)**

**Information for order placements**

Make: Wilo  
Type: MHIL 106  
Art no.: 4083891  
Weight approx. *m*: 13.7 kg