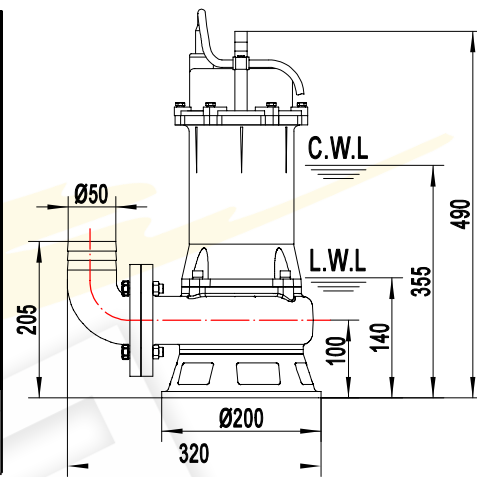
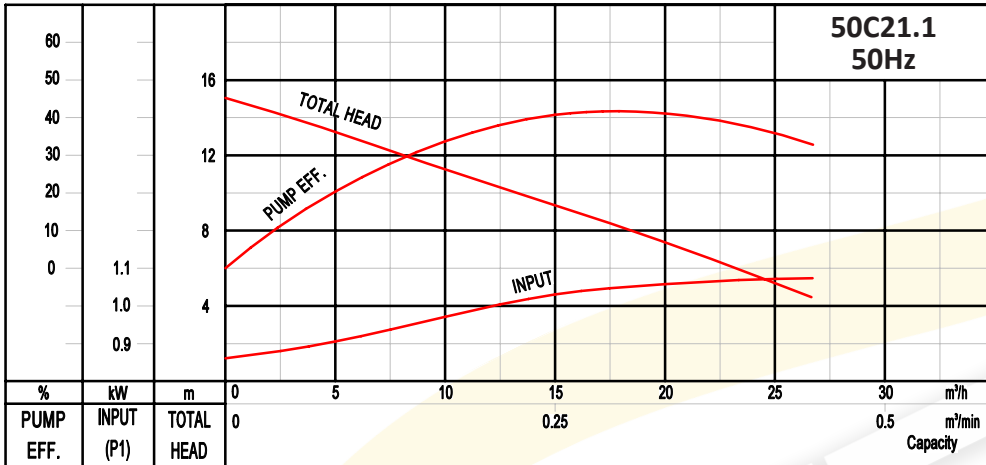
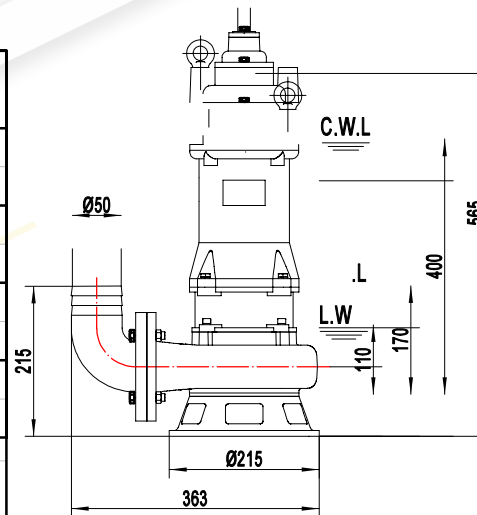
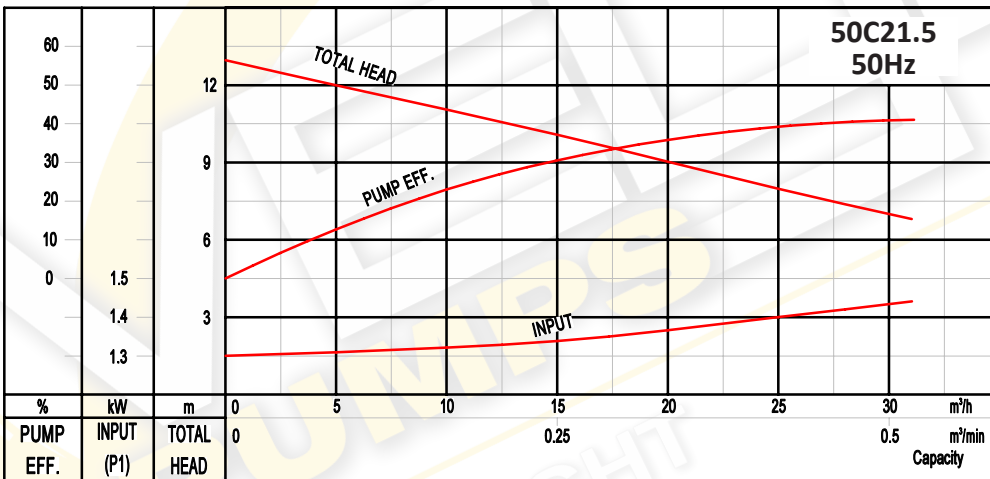


PERFORMANCE CURVE

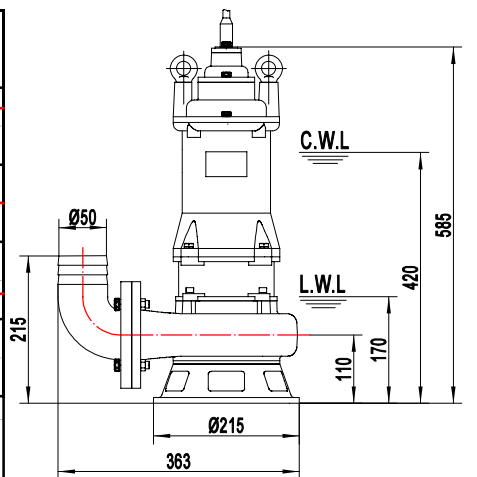
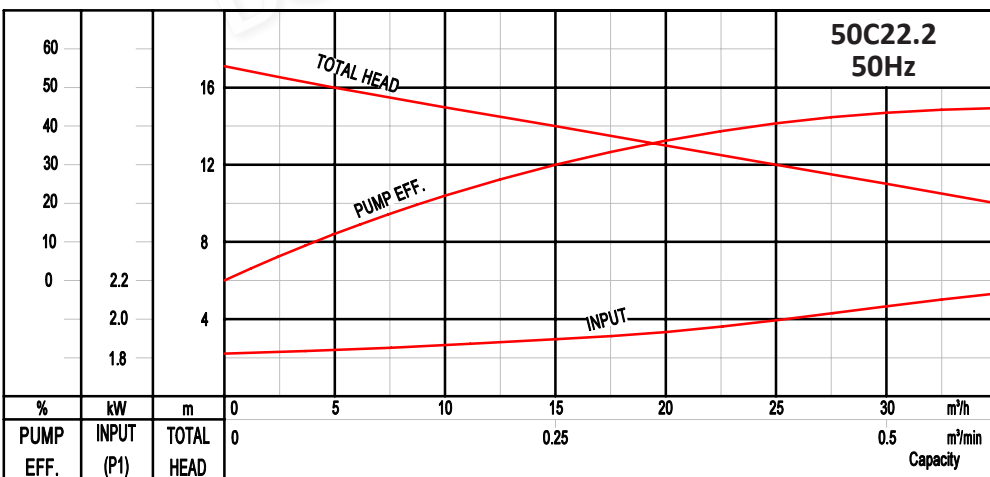
PERFORMANCE CURVE & DIMENSIONS



WEIGHT 29KG



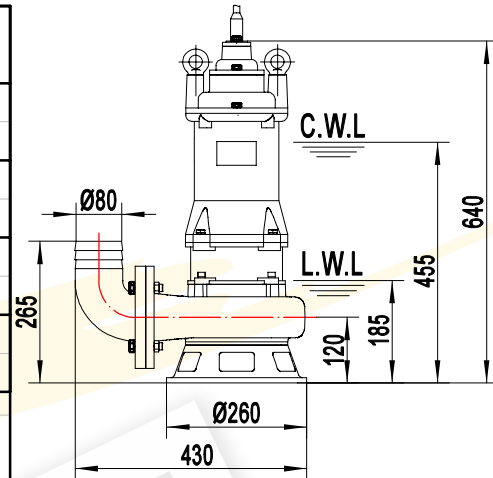
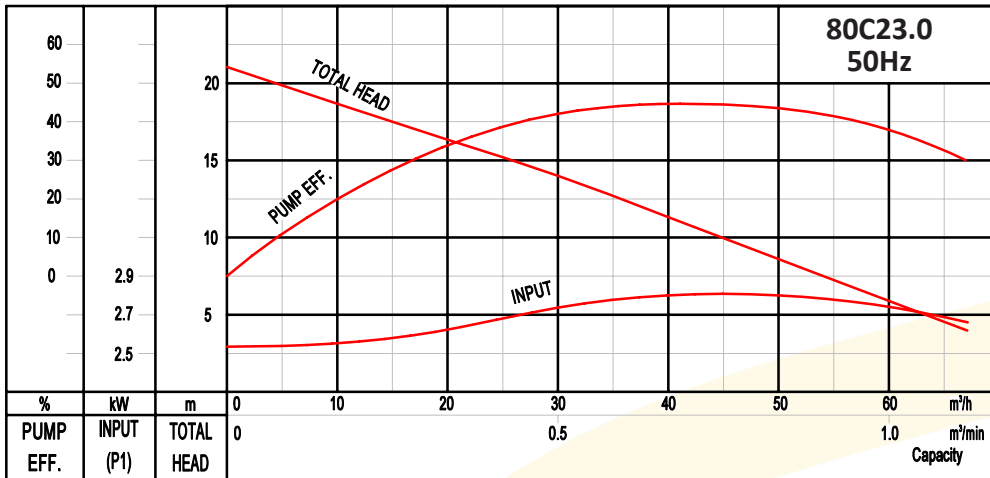
WEIGHT 39KG



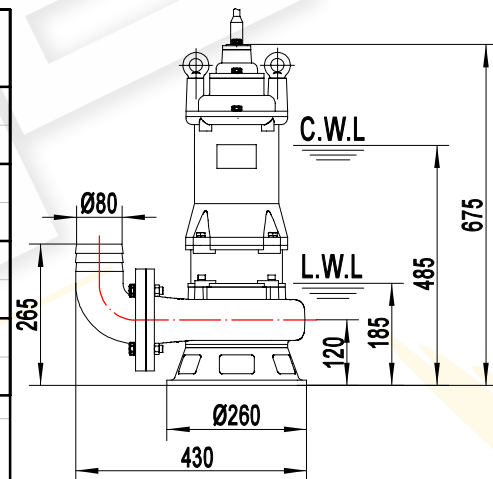
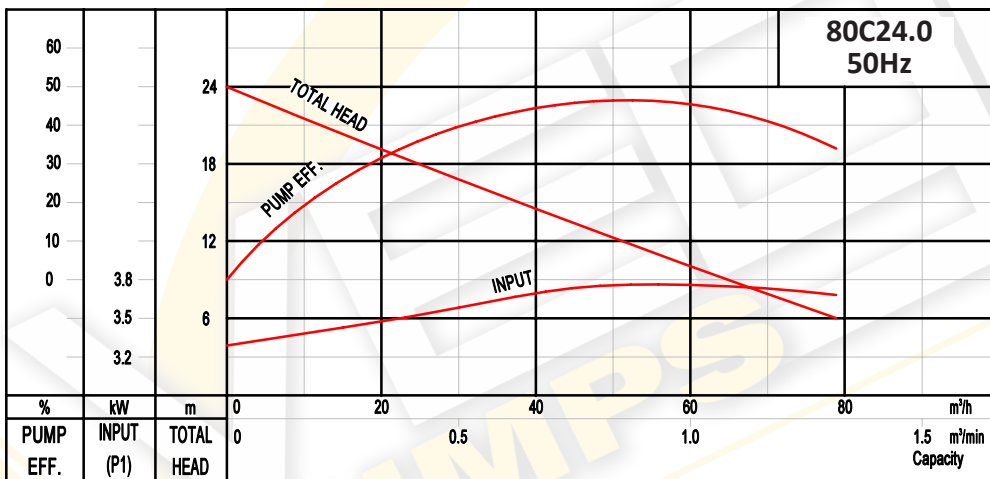
WEIGHT 41KG

PERFORMANCE CURVE

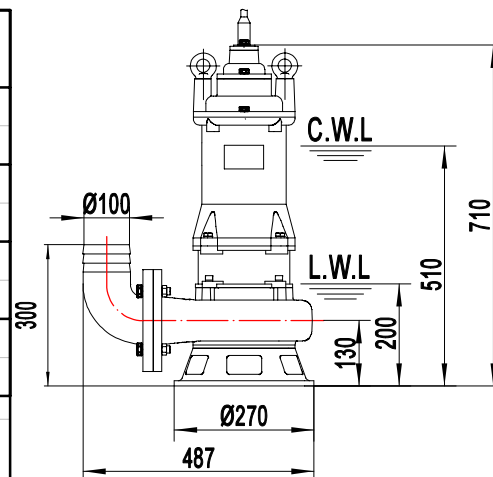
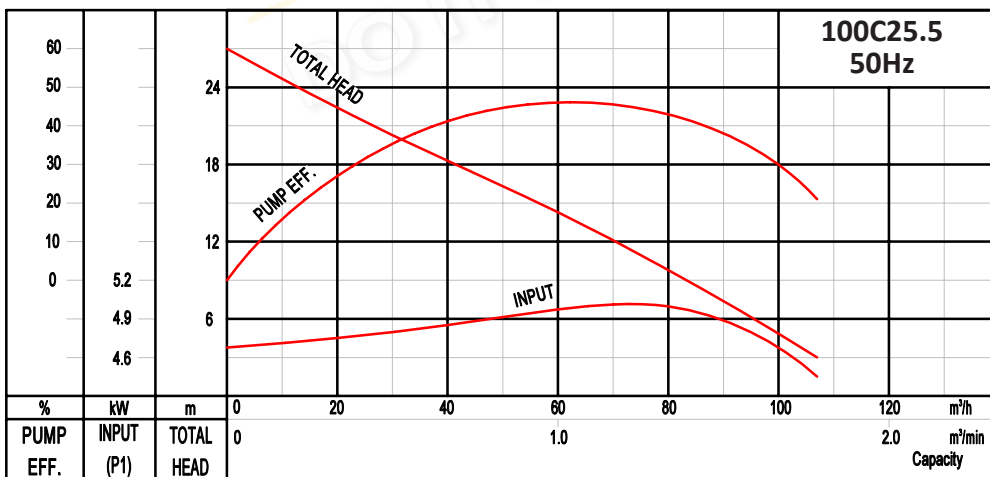
PERFORMANCE CURVE & DIMENSIONS



WEIGHT 56KG



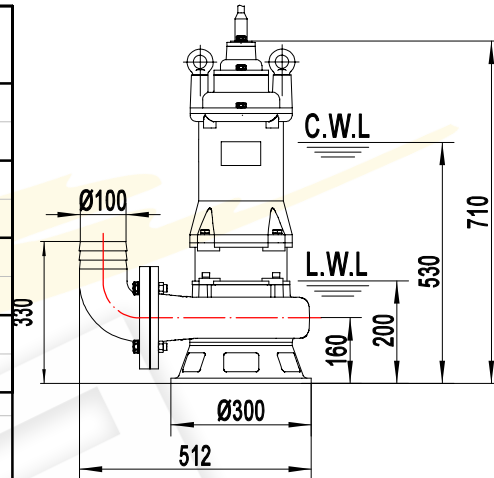
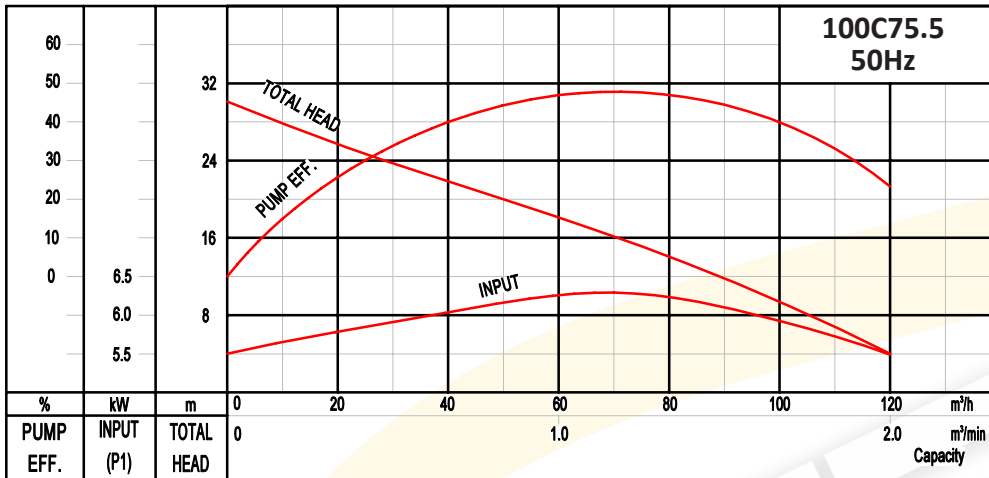
WEIGHT 64KG



WEIGHT 83KG

PERFORMANCE CURVE

PERFORMANCE CURVE & DIMENSIONS



WEIGHT 95KG

EXPLODED VIEW

Index	Part name	Qty	Material
01	Hose coupling	1	Cast iron
03	Terminal box	1	Cast iron
05	Upper cover	1	Cast iron
07	Bearing house	1	Cast iron
11	Motor body	1	Cast iron
13	Pump body	1	Cast iron
14	Impeller	1	Cast iron
16	Inlet plate	1	Ductile iron
21	Cable tube	1	NBR
22	Seat assembly	1	Cast iron
27	Stator	1	
28	Rotor	1	
31a	Bearing	1	
31b	Bearing	1	
33	Motor protector	1	
34	Mechanical seal	1	Sic-Sic/Car-Cer
35	Oil seal	1	
36a	O-ring	1	NBR
36b	O-ring	2	NBR
36c	O-ring	1	NBR
36d	O-ring	1	NBR
36e	O-ring	1	NBR
36f	O-ring	1	NBR
37a	Gasket	0 - 3	PVC
37b	Gasket	1	NBR
41a	Bearing fixing plate	1	
41b	Mechanical Seal fixing plate	1	

Index	Part name	Qty	Material
41c	Pressing block	1	
42a	Bolt	4	AISI304SS
42b	Bolt	4	AISI304SS
42c	Screw	2	
42d	Screw	2	AISI304SS
42e	Screw	2	
42f	Screw	1	
42g	Bolt	4	AISI304SS
42h	Bolt	4	
42i	Bolt	4	
42j	Screw	3	
42k	Screw	1	AISI304SS
42L	Bolt	4	AISI304SS
42m	Bolt	4	
43a	Nut	1	
43b	Nut	4	
44a	Spring washer	12	AISI304SS
44b	Spring washer	8	AISI304SS
44c	Washer	1	AISI304SS
44d	Wave pad	1	65Mn
44e	Spring washer	4	
44f	Spring washer	1	AISI304SS
44g	Spring washer	4	
45	Key	1	AISI304SS
46	Circlips for holes	1	65Mn
47	Cable	1	
47	Cable assembly	1	