

Applications

- Water supply
- Industry pressure boosting
- Industry liquid transfer
- Water treatment
- Irrigation

Motor

- Fitted with a totally enclosed fan-cooled, 2-pole motor
- Enclosure class: IP55
- Insulation class: F
- Supply voltage: 50Hz or 60Hz

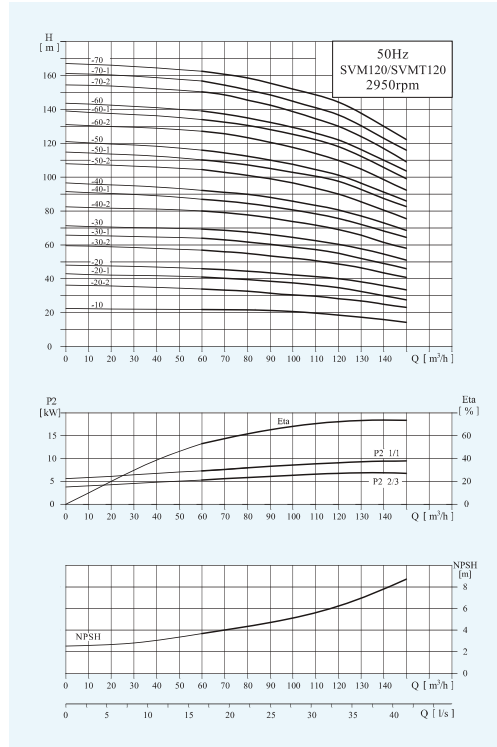
Operation conditions

- Thin, clean, non-explosive liquids, not containing solid particles or fibers liquid
- Liquid temperature:
normal temperature type: -15°C~+70°C
hot water type: -15°C~+105°C
- Ambient temperature: maximum +40°C
- Altitude: maximum 1000m

Material

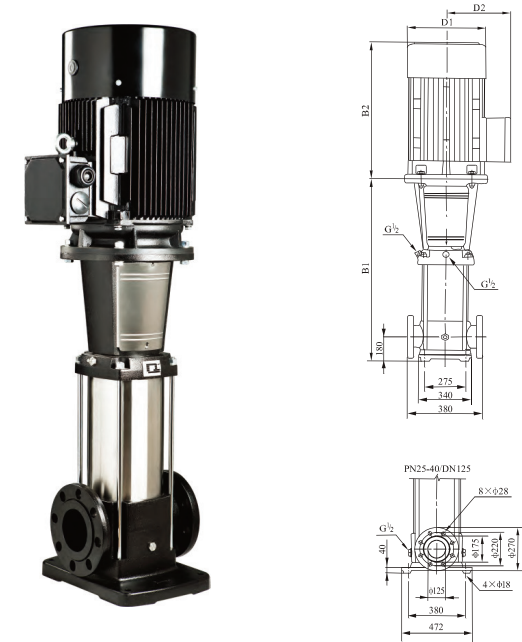
- Inlet&outlet chamber: Cast iron/Stainless steel(304/316)
- Impeller: Stainless steel(304/316)
- Shell: Stainless steel(304/316)
- Shaft: Stainless steel(304/316)
- Coupling: Ductile iron
- Bearing: Tungsten carbide
- Mechanical seal: Tungsten carbide/Graphite

Performance Curves



Performance Table

Model	Associated motor(kW)	Q (m³/h)	H (m)												
			60	70	80	90	100	110	120	130	140	150			
SVM120-10	11		22	21.8	21.6	21	20.5	19.5	18.5	17	16	15			
SVM120-20-2	15		34	33.6	33	31	30.2	30	28.5	27	25	24			
SVM120-20-1	18.5		41	40	39.5	38.5	37	36.5	34.5	32.5	30	27.5			
SVM120-20	22		46	45	44.5	43.5	42.4	41	40	38	36	33.5			
SVM120-30-2	26		57	56	55	53.5	52	51	49	46.5	43.5	41			
SVM120-30-1	30		64	63	62	60	58.5	57.5	55.5	52	49	46			
SVM120-30	30		69.5	68.5	67.5	66	64.4	62.5	61	57.5	54.5	51			
SVM120-40-2	37		80.5	79	78	76	73.5	72	69	66	61.5	58			
SVM120-40-1	37		87	86	84.5	82	80	78	76	72	68	64.5			
SVM120-40	45		92.5	91	90	88	85.5	83	81	77	73	68.5			
SVM120-50-2	45		104.5	103	101	99	96	93	90	85.5	80.5	75.5			
SVM120-50-1	45		110.5	109	107.5	105	102	100	97	92	86.5	83			
SVM120-50	55		115.5	114	113	110	107.5	104.5	101.5	96	91	86			
SVM120-60-2	55		128	125.5	123	121	117.3	113.5	110	104.5	98.5	92.5			
SVM120-60-1	55		134	132	130.5	127	124	121	118	111	105	100			
SVM120-60	75		139	137	135	132	128.8	126	123	116	110	104			
SVM120-70-2	75		151	148	145.5	143	138.6	134	130	123.5	116.5	109			
SVM120-70-1	75		156.5	154	152	148.5	144.5	141	137.5	130	123	116.5			
SVM120-70	75		162.5	160.5	158.5	155	151	148	145	137	129	123			



Dimension & Weight

Model	Size (mm)					Net Weight (kg)
	B1	B2	B1+B2	D1	D2	
SVM120-10	840	500	1340	330	255	230
SVM120-20-2	1000	500	1500	330	255	245
SVM120-20-1	1000	550	1550	330	255	250
SVM120-20	1000	575	1575	360	285	285
SVM120-30-2	1160	575	1735	360	285	326
SVM120-30-1	1160	650	1810	400	310	360
SVM120-30	1160	650	1810	400	310	360
SVM120-40-2	1320	650	1970	400	310	400
SVM120-40-1	1320	650	1970	400	310	400
SVM120-40	1320	685	2005	460	340	460
SVM120-50-2	1480	685	2165	460	340	470
SVM120-50-1	1480	685	2165	460	340	470
SVM120-50	1510	760	2270	540	370	575
SVM120-60-2	1670	760	2430	540	370	585
SVM120-60-1	1670	760	2430	540	370	585
SVM120-60	1830	845	2515	580	410	705
SVM120-70-2	1830	845	2675	580	410	715
SVM120-70-1	1830	845	2675	580	410	715
SVM120-70	1830	845	2675	580	410	715