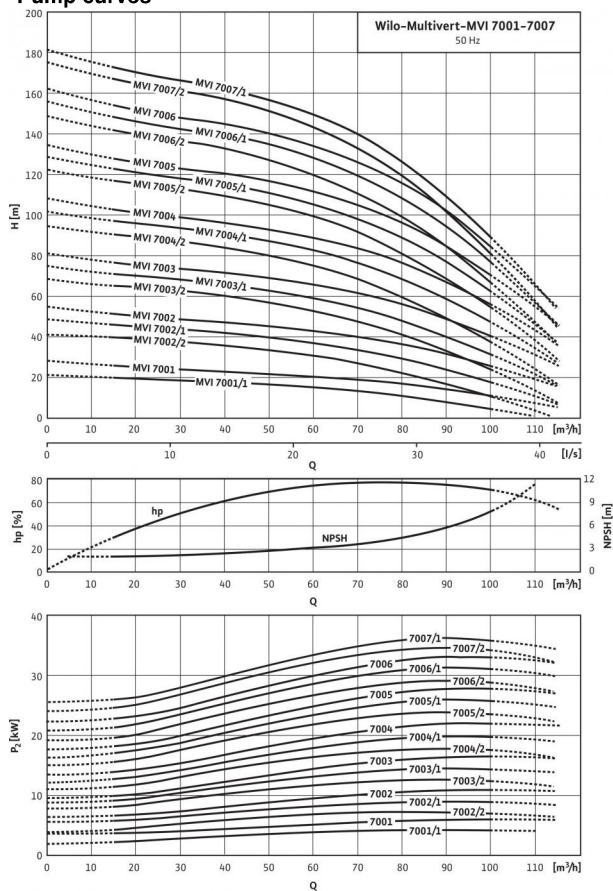


Data sheet: Multivert MVI 7004/1 (3~400 V, EPDM,)

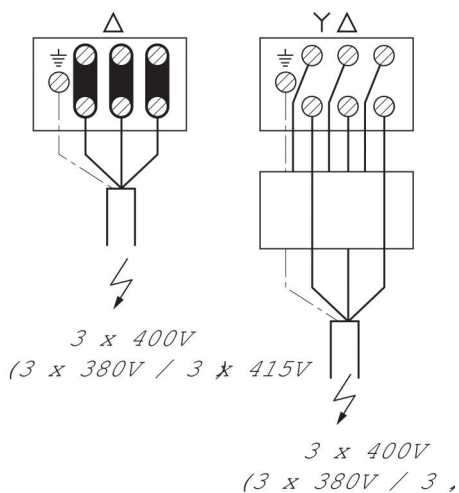
Pump curves



Pump curves in accordance with ISO 9906: 2012 3B

Terminal diagram

MOT. 400VD (380VD / 415VD,
> 4kW



Power

| | |
|--------------------------------------|---------------|
| Fluid temperature T | -15...+120 °C |
| Max. ambient temperature T | 40 °C |
| Maximum operating pressure p_{max} | 25 bar |

Minimum Efficiency Index (MEI)

| | |
|--------------------------------|--------|
| Minimum Efficiency Index (MEI) | ≥ 0.40 |
|--------------------------------|--------|

Motor

| | |
|--------------------------------------|----------------|
| Insulation class | F |
| Protection class | IP 55 |
| Mains connection | 3~400 V, 50 Hz |
| Rated power P_2 | 22 kW |
| Power consumption P_1 | 24.25 kW |
| Nominal current 3~400 V, 50 Hz I_N | 38 A |
| Motor efficiency $\eta_{m 50\%}$ | 90.8 % |
| Motor efficiency $\eta_{m 75\%}$ | 92.3 % |
| Motor efficiency $\eta_{m 100\%}$ | 92.7 % |

Connections

| | |
|--|--------|
| Flange nominal diameter (on the pressure side) | DN 100 |
| Flange nominal diameter (on the suction side) | DN 100 |
| Rated pressure level (on the pressure side) PN | PN 25 |
| Rated pressure level (on the suction side) PN | PN 25 |

Materials

| | |
|-----------------|----------------------------------|
| Impeller | 1.4301 [AISI304] |
| Pump housing | EN-GJL-250 (cataphoretic-coated) |
| Pump shaft | 1.4057 [AISI431] |
| Pump base | EN-GJL-250 |
| Static seal | EPDM |
| Mechanical seal | U3BE3GG |

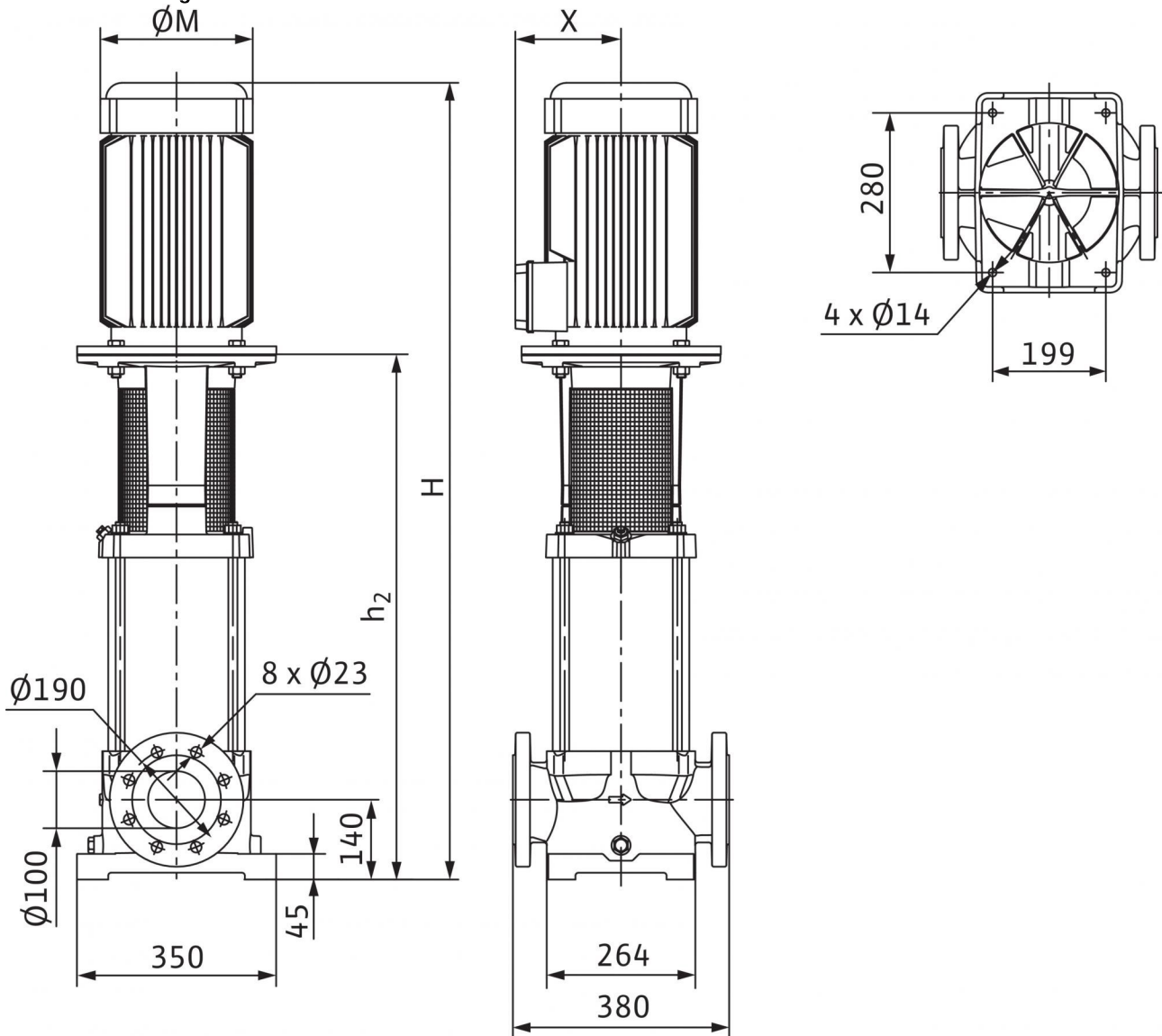
Information for order placements

| | |
|--------------------|------------|
| Make | Wilo |
| Type | MVI 7004/1 |
| Art no. | 4071191 |
| Weight approx. m | 213.0 kg |

• = available, - = not available

Dimensions and dimensions drawings: Multivert MVI 7004/1 (3~400 V, EPDM,)

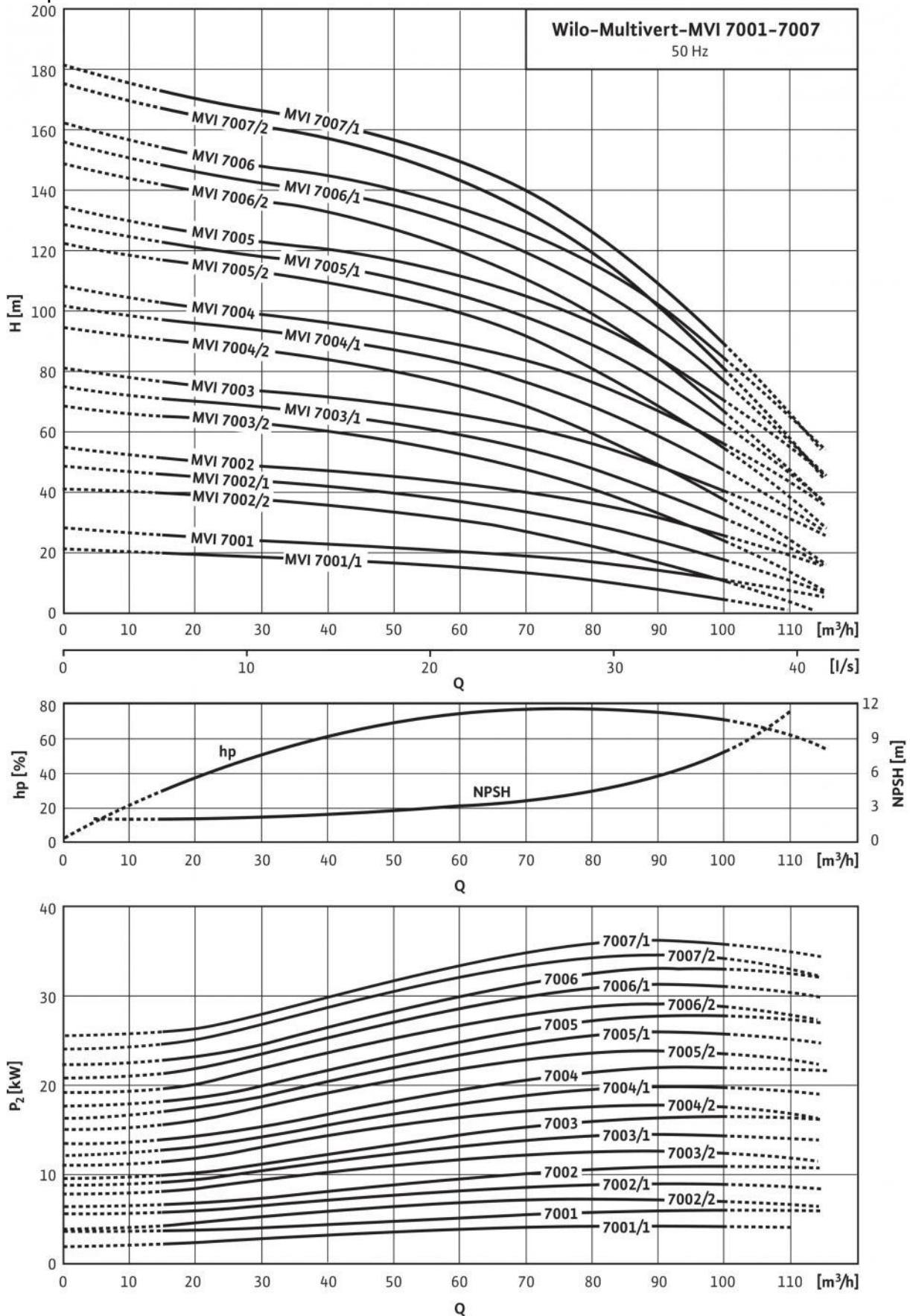
Dimension drawing



| | |
|----------------------------|---------|
| Dimensions H | 1393 mm |
| Dimensions H_2 | 927 mm |
| Dimensions X | 200 mm |
| Dimensions $\varnothing M$ | 302 mm |
| Weight approx. m | 213 kg |

Pump curves: Multivert MVI 7004/1 (3~400 V, EPDM,)

Pump curves



Ordering information: Multivert MVI 7004/1 (3~400 V, EPDM,)

| | |
|-----------------------------|---------------------|
| Make | Wilo |
| Type | MVI 7004/1 |
| Art no. | 4071191 |
| EAN number | 4016322633167 |
| Colour | green/silver |
| Minimum order quantity | 1 |
| Minimum order quantity unit | PCE |
| Weight (net) <i>kg</i> | 213 |
| Length (net) <i>mm</i> | 380 |
| Width (net) <i>mm</i> | 350 |
| Height (net) <i>mm</i> | 1446 |
| Weight (gross) <i>kg</i> | 252 |
| Length (gross) <i>mm</i> | 1630 |
| Width (gross) <i>mm</i> | 630 |
| Height (gross) <i>mm</i> | 910 |
| Packaging type | One-way pallet |
| Packaging property | Transport packaging |
| Pieces per pallet | 1 |
| Number per layer | 1 |

Tender text: Multivert MVI 7004/1 (3~400 V, EPDM,)

Multistage, non self-priming, vertical high-pressure centrifugal pump in in-line design.

The pump shaft and the motor shaft of the IEC standard motor are connected by means of a clamp coupling. A separate lantern roller bearing ensures optimum admission of axial thrusts. Intermediate bearings in the hydraulics guarantee a long service life.

The pump is suitable for water supply, water distribution and pressure boosting, industrial recirculation systems, process water and cooling water circulation systems. It can also be used in fire extinguishing systems, washing systems as well as for irrigation.

Special features/product advantages

- Corrosion-resistant impellers, guide vane apparatuses and stage housings
- Drinking water approval for pumps with parts that come in contact with the fluid made of stainless steel (EPDM version)

Scope of delivery

- Wilo-Multivert MVI high-pressure multistage centrifugal pump
- Installation and operating instructions
- Counter flanges made of stainless steel of cast iron with the corresponding screws, nuts and gaskets for PN16 pump version with oval flanges

Design notes

- Motor protection is to be provided on request or onsite.
- Single-phase AC motor equipped with built-in thermal motor protection and capacitor
- The spacer coupling (from ≥ 15 kW) allows the mechanical seal to be replaced without removing the motor
- Counter flanges are available as accessories.
- Bypass sets are available as accessories.

Power

Fluid temperature T : $-15...+120$ °C

Max. ambient temperature T : 40 °C

Maximum operating pressure p_{max} : 25 bar

Minimum Efficiency Index (MEI)

Minimum Efficiency Index (MEI): ≥ 0.40

Motor

Insulation class: F

Protection class: IP 55

Mains connection: 3~400 V, 50 Hz

Rated power P_2 : 22 kW

Power consumption P_1 : 24.25 kW

Nominal current 3~400 V, 50 Hz I_N : 38 A

Motor efficiency $\eta_{m 50\%}$: 90.8 %

Motor efficiency $\eta_{m 75\%}$: 92.3 %

Motor efficiency $\eta_{m 100\%}$: 92.7 %

Connections

Flange nominal diameter (on the pressure side): DN 100

Flange nominal diameter (on the suction side): DN 100

Rated pressure level (on the pressure side) PN : PN 25

Rated pressure level (on the suction side) PN : PN 25

Materials

Impeller: 1.4301 [AISI304]

Pump housing: EN-GJL-250 (cataphoretic-coated)

Pump shaft: 1.4057 [AISI431]

Pump base: EN-GJL-250

Static seal: EPDM

Mechanical seal: U3BE3GG

Information for order placements

Make: Wilo

Type: MVI 7004/1

Art no.: 4071191

Weight approx. m : 213.0 kg