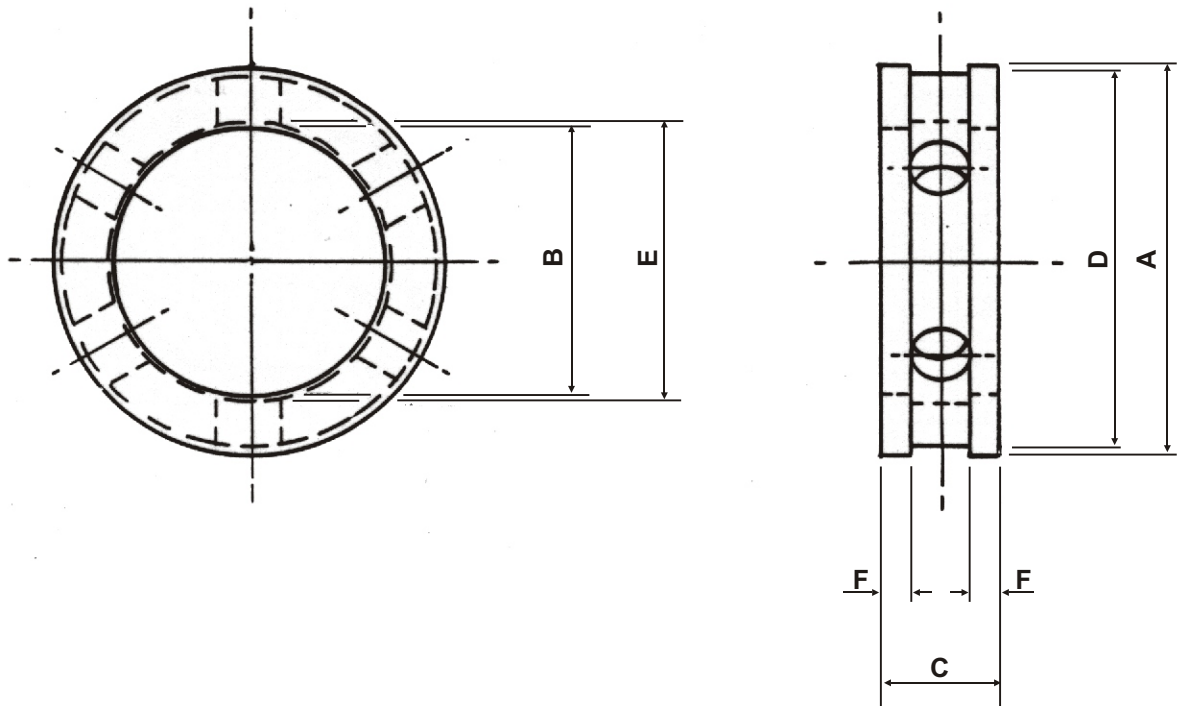




LANTERN RING DIMENSIONS **HD RANGE**



<i>PUMP</i>	<i>A</i>	<i>B</i>	<i>C</i>	<i>D</i>	<i>E</i>	<i>F</i>	<i>G</i>
HD7	50.8 50.7	35.2 35.3	16	49.5	36.5	3	8
HD10L							
HD10M							
HD10H							
HD20L							
HD20M							
HD20H							
HD45L	64.8 64.7	45.2 45.3	20	63	47	4	10
HD45M							
HD60M							
HD60H							
HD115M	84.8 84.7	65.2 65.3		83	67		
HD115H							
HD250M							
HD325M							

DATE: 01/06/06

DATA SHEET. D135