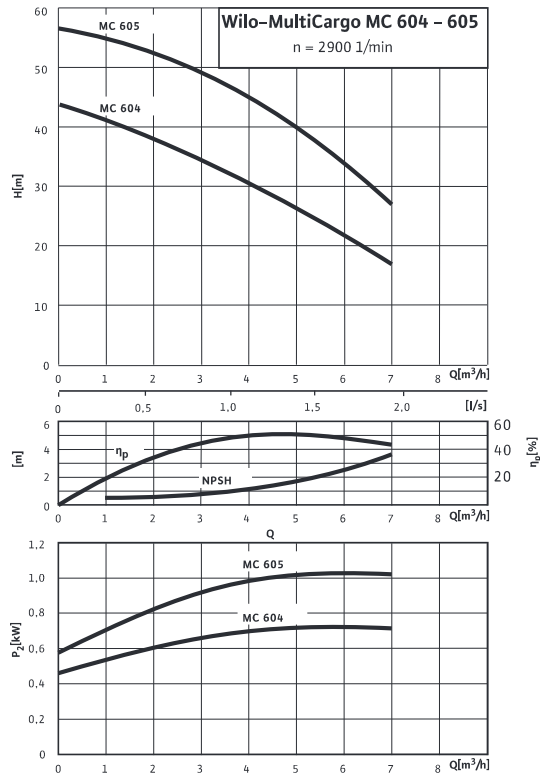


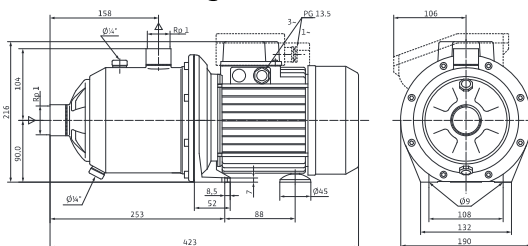
Data sheet: Wilo-MultiCargo MC 604 (1~230 V)

Pump curves

n = 2900 rpm



Dimension drawing



Approved fluids (other fluids on request)

Pure water without settling sediment	•
Process water, cold water, cooling water, rainwater	•

Output

Max. suction head	H	8 m
Inlet pressure Max.	H	4 bar
Fluid temperature	T	+5...+35 °C
Max. ambient temperature	T	40 °C
Standard version for operating pressure	p_{max}	8 bar
Nominal speed	n	2900 rpm

Motor/electronics

Protection class	IP X4
Insulation class	F
Screwed cable connection	1x13.5 PG
Power consumption	P_1 1.09 kW
Mains connection	1~230 V, 50 Hz

Pipe connections

Nominal connection diameter on the pressure side	Rp 1
Nominal connection diameter on suction side	Rp 1¼

Materials

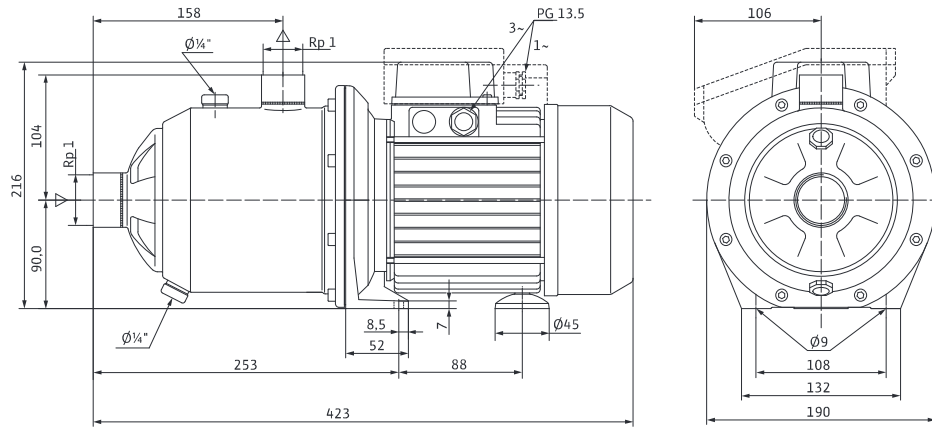
Pump housing	1.4301
Impeller	Noryl
Pump shaft	1.4028 [AISI420F]
Mechanical seal	Carbon/ceramic
Stage chambers	Noryl
Diffuser/Injector	–
Seal	NBR

Information for order placements

Make	Wilo
Type	MC 604
Art no.	4041180
Weight approx.	m 12 kg

Dimensions and dimension drawings: Wilo-MultiCargo MC 604 (1~230 V)

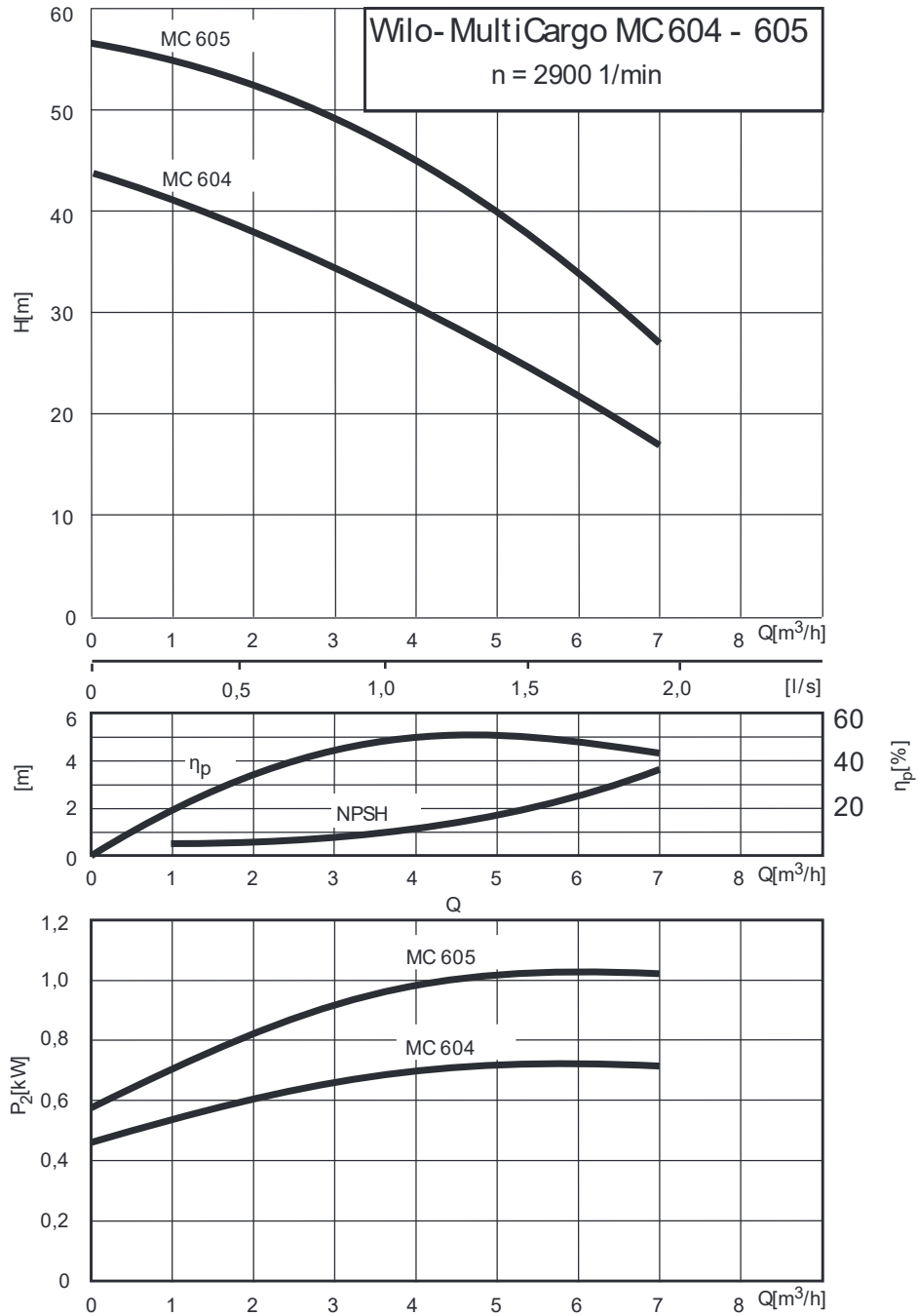
Dimension drawing



Pump curves: Wilo-MultiCargo MC 604 (1~230 V)

Pump curves

n = 2900 rpm



Ordering information: Wilo-MultiCargo MC 604 (1~230 V)

Information for order placements

Art no.		4041180
EAN number		4016322482536
Minimum order quantity		1
Minimum order quantity unit		PCE
Weight (net)	<i>kg</i>	11.7
Length (net)	<i>mm</i>	423
Width (net)	<i>mm</i>	190
Height (net)	<i>mm</i>	216
Weight (gross)	<i>kg</i>	13.2
Length (gross)	<i>mm</i>	600
Width (gross)	<i>mm</i>	260
Height (gross)	<i>mm</i>	280
Packaging type		Cardboard box

Specification texts: Wilo-MultiCargo MC 604 (1~230 V)

Multistage, low-noise, self-priming, horizontal high pressure centrifugal pump with block design with horizontal suction and vertical pressure port. Innovative hydraulic suction tract. With continuous motor pump shaft and bidirectional mechanical seal. Directly flanged three-phase or AC motor. Onsite motor protection required for three-phase AC motor. For AC motor, built-in thermal motor protection and condenser. All parts that come into contact with the fluid are corrosion-proof.

Materials

Pump housing: 1.4301

Impeller: Noryl

Pump shaft: 1.4028 [AISI420F]

Mechanical seal: Carbon/ceramic

Stage chambers: Noryl

Diffuser/Injector: –

Seal: NBR

Approved fluids (other fluids on request)

Pure water without settling sediment: •

Process water, cold water, cooling water, rainwater: •

Rainwater: •

Output

Max. suction head: 8 m

Inlet pressure Max.: 4 bar

Fluid temperature: +5...+35 °C

Max. ambient temperature: 40 °C

Standard version for operating pressure: 8 bar

Mains connection 1~, standard version: 230 V

Mains connection 3~, standard version: 400 V

3~ mains connection alternative application at no extra charge: 230 V

Mains frequency: 50 Hz

Nominal speed: 2900 rpm

Motor/electronics

Protection class: IP X4

Insulation class: F

Screwed cable connection: 1x13.5 PG

Power consumption: 1.09 kW

Pipe connections

Nominal connection diameter on the pressure side: Rp 1

Nominal connection diameter on suction side: Rp 1¼

Information for order placements

Specification texts: Wilo-MultiCargo MC 604 (1~230 V)

Weight approx.: 12 kg

Type: MC 604

Art no.: 4041180