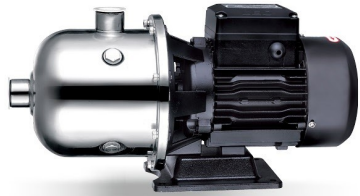


EDH

Stainless Steel Horizontal Multistage Pump



Application

- It is applicable to household water supply, equipment support, pipeline pressurization, garden watering, vegetable greenhouse watering, fish farming and poultry raising, industrial and mining, water supply and drainage of enterprises and high-rise buildings, central air conditioner and centralized heating circulation system, etc.

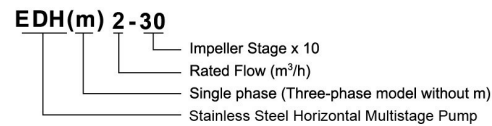
Pump

- AISI304 shaft
- Max. Liquid temperature: +85°C
- Altitude: up to 1000 m
- Max. suction: 8 m
- Max. inlet pressure: limited by max. operating pressure

Motor

- Motor with copper winding
- Built-in thermal protector for single phase motor
- Insulation class: F
- Protection class: IP44
- Max. ambient temperature: +40°C

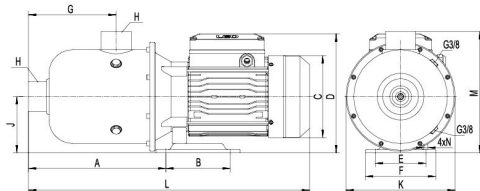
Identification Codes



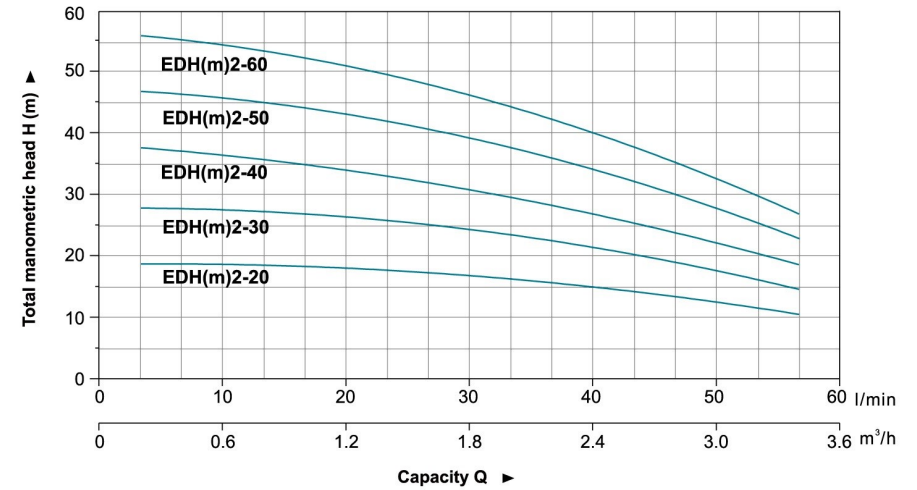
Technical Data

Model		Power (P2)		Q (m ³ /h)		Q (l/min)		0		0.5		1.0		1.5		2.0		2.5		3.0		3.5		4.0		
Single-phase	Three-phase	kW	HP	H (m)		Q (l/min)		0	8.3	16.7	25	33.3	41.7	50	58.3	66.7										
EDHm2-20	EDH2-20	0.37	0.5	17.5		16.7	16.2	15	14	12	10.6	8.5	6.5													
EDHm2-30	EDH2-30	0.37	0.5	27.5		26.6	25.6	23.8	21.3	19.2	16.1	12.5	7.2													
EDHm2-40	EDH2-40	0.55	0.75	37		36.2	35.4	33.2	30.7	27.6	22.9	18.4	12.6													
EDHm2-50	EDH2-50	0.55	0.75	48		44	42.1	39.5	35.9	30.8	25.7	19.6	13.5													
EDHm2-60	EDH2-60	0.75	1.0	52		50.8	49.2	45.6	41.5	36.2	30.4	23.4	14.3													

Dimension

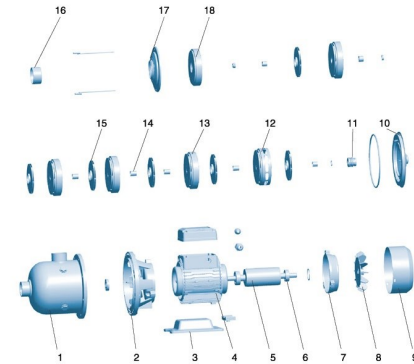


Hydraulic Performance Curves



Materials Table

No.	Part	Material
1	Pump body	AISI 304/AISI 316
2	Support	ZL102
3	Bottom plate	Cast iron
4	Stator	
5	Rotor	
6	Bearing	
7	Rear cover	ZL102
8	Fan	PP
9	Fan cover	08F
10	Bracket cover	AISI 304
11	Mechanical seal	Carbon/Ceramic
12	Diffuser 3	AISI 304
13	Diffuser 2	AISI 304
14	Sleeve	AISI 304
15	Impeller	AISI 304
16	Spacer bush	AISI 304
17	Pressure plate	AISI 304
18	Diffuser 1	AISI 304



Package Information

Model	GW (Kgs)	L (mm)	W (mm)	H (mm)	Quantity (PCS/20 TEU)
EDH(m)2-20	10.3	460	224	278	1088
EDH(m)2-30	10.8	460	224	278	1088
EDH(m)2-40	12.2	460	224	278	1088
EDH(m)2-50	13	460	224	278	1088
EDH(m)2-60	14	460	224	278	1088

