



### Application

- Drainage of wastewater from the attenuation tank, purifying tank and sewage tank in water treatment plant
- Drainage of waste water containing fibrous additives from leather factory and food processing factory
- Sewage management, accumulated water, septic tank, stock farm
- Pumping sewage from hotels, restaurants, schools and public buildings

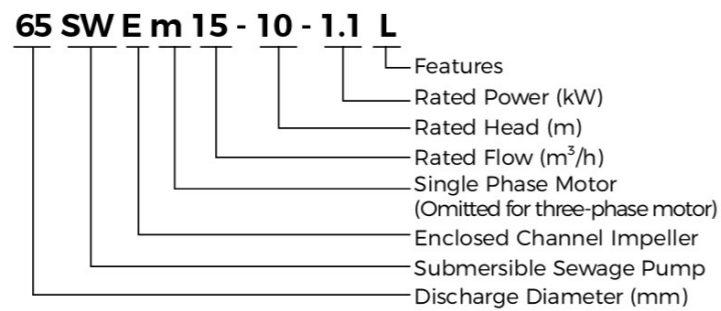
### Pump

- High-efficiency & anti-clogging enclosed channel impeller
- Flexible installations with hoses, pipes or quick-coupling systems
- Float switch as standard accessory for single phase ( $\leq 1.1$  kW)
- Cable Length: 10m
- Double-end mechanical seal
- Stainless steel welded shaft
- Liquid temperature: 0 - 40 °C
- Liquid PH value: 4 - 10
- Max. immersion depth: 10 m

### Motor

- Frequency/Pole number: 50 Hz/2
- Insulation class: F
- Enclosures class: IP68
- Bearing: Ball type

### Identification Codes

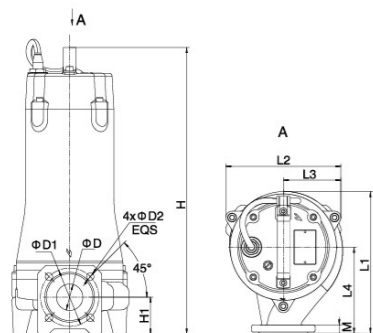


### Technical Data

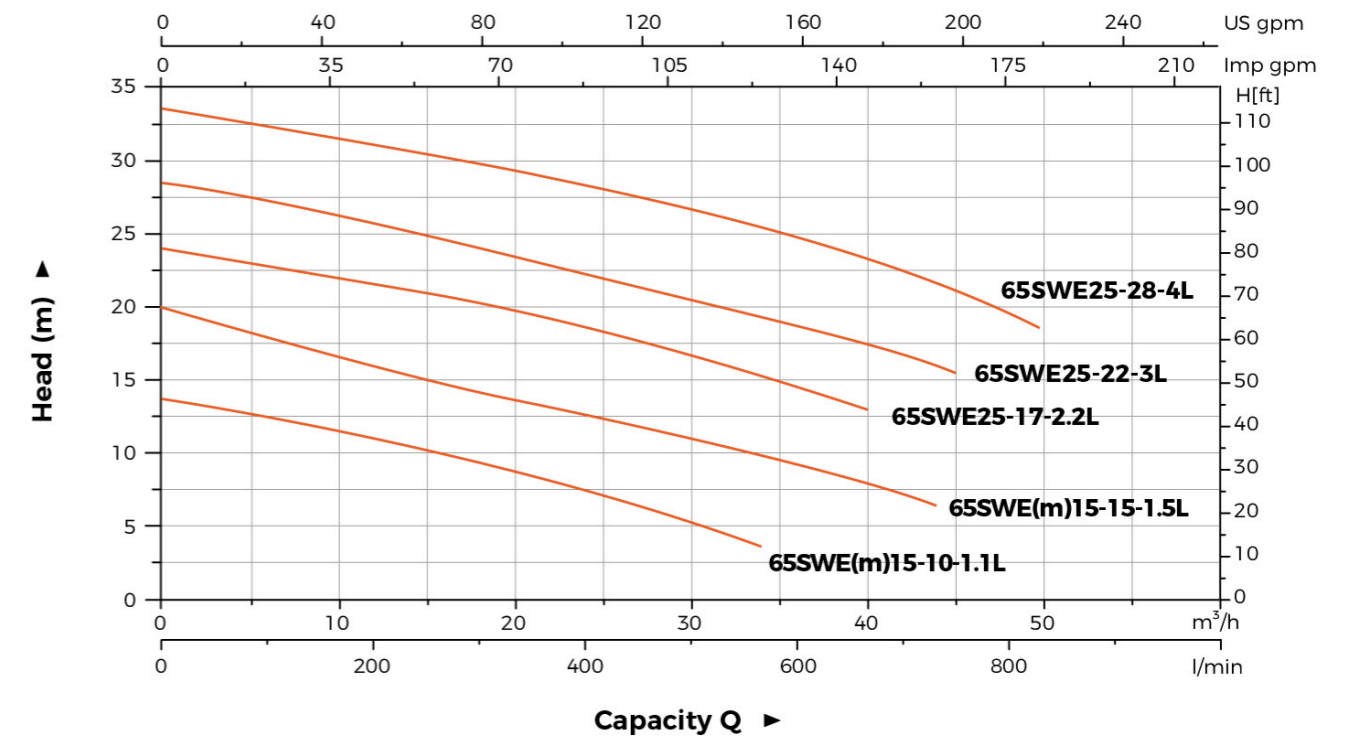
Model		Discharge	Power		Rated flow	Max. flow	Rated head	Max. head	Max. Solid Dia
Single Phase	Three Phase	mm (inch)	kW	HP	m <sup>3</sup> /h	m <sup>3</sup> /h	m	m	mm
65SWE m 15-10-1.1L	65SWE15-10-1.1L	65 (2.5")	1.1	1.5	15	34	10	14	25
65SWE m 15-15-1.5L	65SWE15-15-1.5L	65 (2.5")	1.5	2	15	44	15	20	25
-	65SWE25-17-2.2L	65 (2.5")	2.2	3	25	40	17	24	25
-	65SWE25-22-3L	65 (2.5")	3	4	25	45	22	28.5	25
-	65SWE25-28-4L	65 (2.5")	4	5.5	25	50	28	31.5	25

### Dimension

Model	L1 (mm)	L2 (mm)	L3 (mm)	L4 (mm)	H (mm)		H1 (mm)	D (mm)	D1 (mm)	D2 (mm)	M (mm)
					1-	3-					
65SWE(m)15-10-1.1L	288	225	117	178	490	490	77.5	65	130	14	16
65SWE(m)15-15-1.5L					581	540					
65SWE25-17-2.2L					540						
65SWE25-22-3L											
65SWE25-28-4L					571						

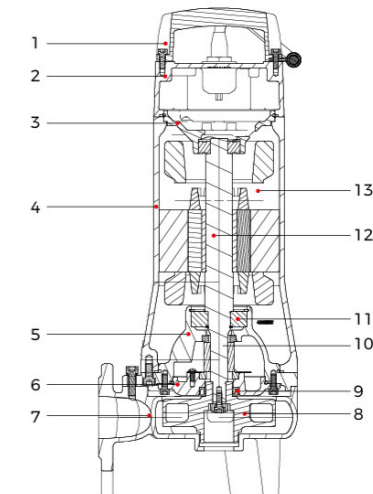


### Hydraulic Performance Curves



### Material Table

No.	Part	Material
1	Handle	ZG45
2	Upper cover	HT200
3	Upper bearing seat	HT200
4	Motor body	HT200
5	Oil chamber	HT200
6	Pump cover	HT200
7	Pump body	HT200
8	Impeller	HT200
9	Oil seal	
10	Mechanical seal	Upper: Sic/Carbon Lower: Sic/Sic
11	Bearing	
12	Rotor	
13	Stator	



### Package Information

Model	GW (kg)		L (mm)	W (mm)	H (mm)	Quantity (PCS/20'TEU)
	1-	3-				
65SWE(m)15-10-1.1L	37.9	35.8	749	289	368	354
65SWE(m)15-15-1.5L	45.7	41.9	924	284	363	294
65SWE25-17-2.2L	-	44.1	924	284	363	294
65SWE25-22-3L	-	52	874	284	363	316
65SWE25-28-4L	-	55.1	874	284	363	316