

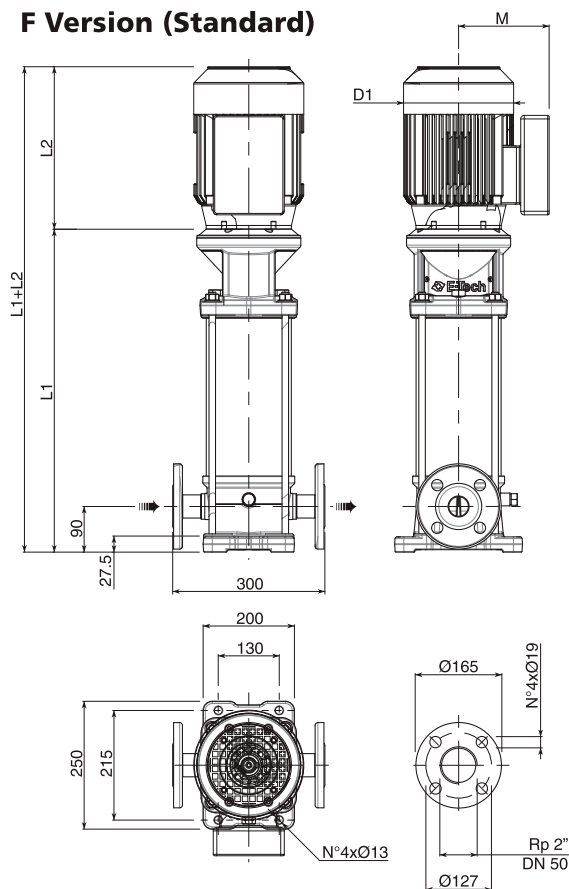


**VERTICAL MULTISTAGE PUMP
TECHNICAL DATA**

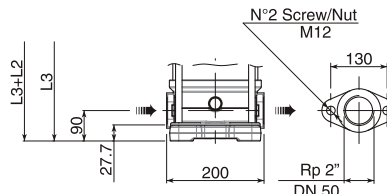
VR16

Dimensional Data

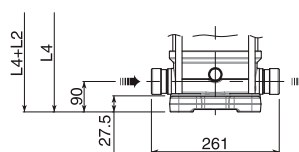
F Version (Standard)



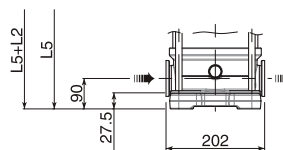
T Version



V Version



C Version



F version-
Round flanges on body type PN25.

T version-
Oval flanges on body type PN16: the pump is supplied without oval counter flanges for pipe to be screwed, joints and bolts (Optional accessories).

V version-
Connections with rapid fittings type "Victaulic": the pump is supplied without the collars (Optional accessories).

C version-
Connections with round fittings type Clamp-FlexiClamp: the pump is supplied without collars (Optional accessories).

Pump Model	Motor			Dimensions (MM)										Weight (KG)				
	KW/HP	Size	MTG	L1	L2		L3	L4	L5	M		D1		PE	Motor		PMA	
				F	1-ph	3-ph	T-vers	V-vers	C-vers	1-ph	3-ph	1-ph	3-ph		1-ph	3-ph		
VR16/2	1.5/2.0	90S	B14	382.5	260	260	382.5	382.5	382.5	150	145	175	175.0	19.0	12	12	31	31
VR16/3	2.2/3.0	90L	B14	420.0	235	285	420.0	420.0	420.0	150	145	175	175.0	20.0	15	14.5	35	34.5
VR16/4	3.0/4.0	100L	B14	467.5		308	467.5	467.5	467.5			152	197.0	21.5		20		41.5
VR16/5	4.0/5.5	112	B14	505.0		335	505.0	505.0	505.0			180	220.0	22.5		26		48.5
VR16/6	5.5/7.5	132S	B5	565.0		376	565.0	565.0	565.0			193	262.0	28.5		38.4		66.9
VR16/7	5.5/7.5	132S	B5	602.5		376	602.5	602.5	602.5			193	262.0	29.5		38.4		67.9
VR16/8	5.5/7.5	132S	B5	640.0		376	640.0	640.0	640.0			193	262.0	30.5		38.4		68.9
VR16/9	7.5/10.0	132S	B5	677.5		376	677.5	677.5	677.5			193	262.0	31.5		41.3		72.8
VR16/10	7.5/10.0	132S	B5	715.5		376	715.5	715.5	715.5			193	262.0	32.5		41.3		73.8
VR16/11	7.5/10.0	132S	B5	753.0		376	753.0	753.0	753.0			193	262.0	33.5		41.3		74.8
VR16/12	9.2/12.5	160M	B5	790.5		385	790.5	790.5	790.5			193	314.0	34.5		52		86.5
VR16/13	9.2/12.5	160M	B5	828.0		385	828.0	828.0	828.0			193	314.0	35.0		52		87
VR16/14	11.0/15.0	160M	B5	865.5		394	865.5	865.5	865.5			193	314.0	36.0		76		112
VR16/15	11.0/15.0	160M	B5	903.0		394	903.0	903.0	903.0			193	314.0	37.0		76		113
VR16/16	11.0/15.0	160M	B5	940.5		394	940.5	940.5	940.5			193	314.0	38.0		76		114

DATE: MARCH 2011

CURVE NO. VRD004

