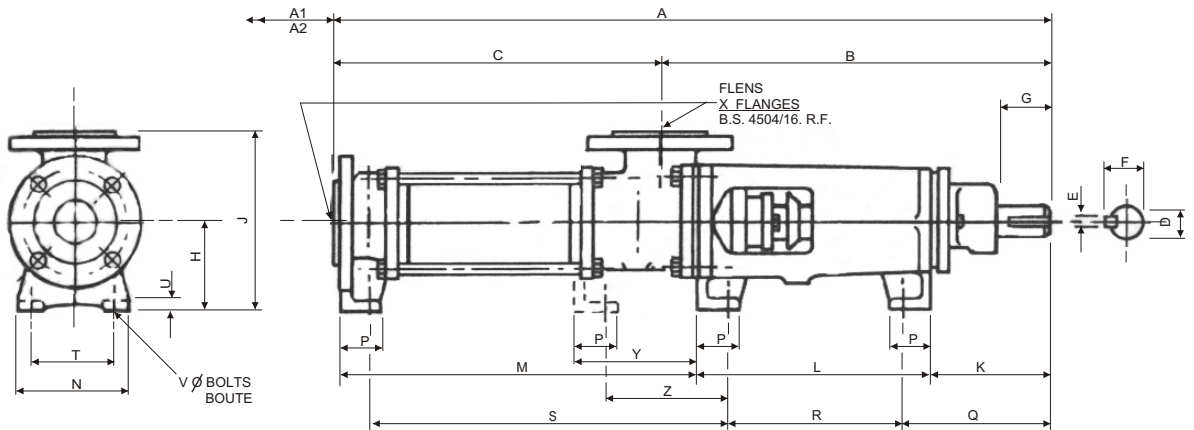




DIMENSION SHEET

M-RANGE



PUMP PUMP	A	A1	A2	B	C	D	E	F	G	H	J	K	L
22M	570	150	315	300	270	19	6	21,5	40	80	160	100	160
31M	530		275		230								
32M	630		330										
41M	625	150	300	375	250	28	8	31	50	90	200	120	215
42M	755	200	430	450	380	38	10	41	60	110	230	135	270
61M	820	200			370								
62M	1035	370			585								
71M	1040	200	510	600	440	48	14	51,5	80	160	320	175	300
72M	1320	500			720								
81M	1040	200			440								
82M	1535	480	700	640	895	48	14	51,5	80	160	320	215	300
91M	1415	360			775								
92M	1862	200			1222								

PUMP PUMP	M	N	P	Q	R	S	T	U	V	X	Y	Z	MASSA kg.
22M	305	100	30	120	120	305	70	10	M8	25			16,5
31M	265					265							15,5
32M	365					365							17,5
41M	285	125	40	145	165	285	90	10	M10	40			28,0
42M	415	140	50	170	200	415	105	13	M12	50			30,0
61M	410					410							45,0
62M	625					625							52,5
71M	560	200	70	220	210	560	150	20	M16	80			100
72M	840					840							111
81M	560					560							105,5
82M	1015	200	70	260	210	1015	150	20	M16	100	375	375	157,5
91M	895					895							146,0
92M	1342					1342							1940

A1 REPRESENTS ABSOLUTE MINIMUM DISMANTLING SPACE
 A2 REPRESENTS PREFERRED MINIMUM DISMANTLING SPACE

DATE: 01/06/06

DATA No. D101