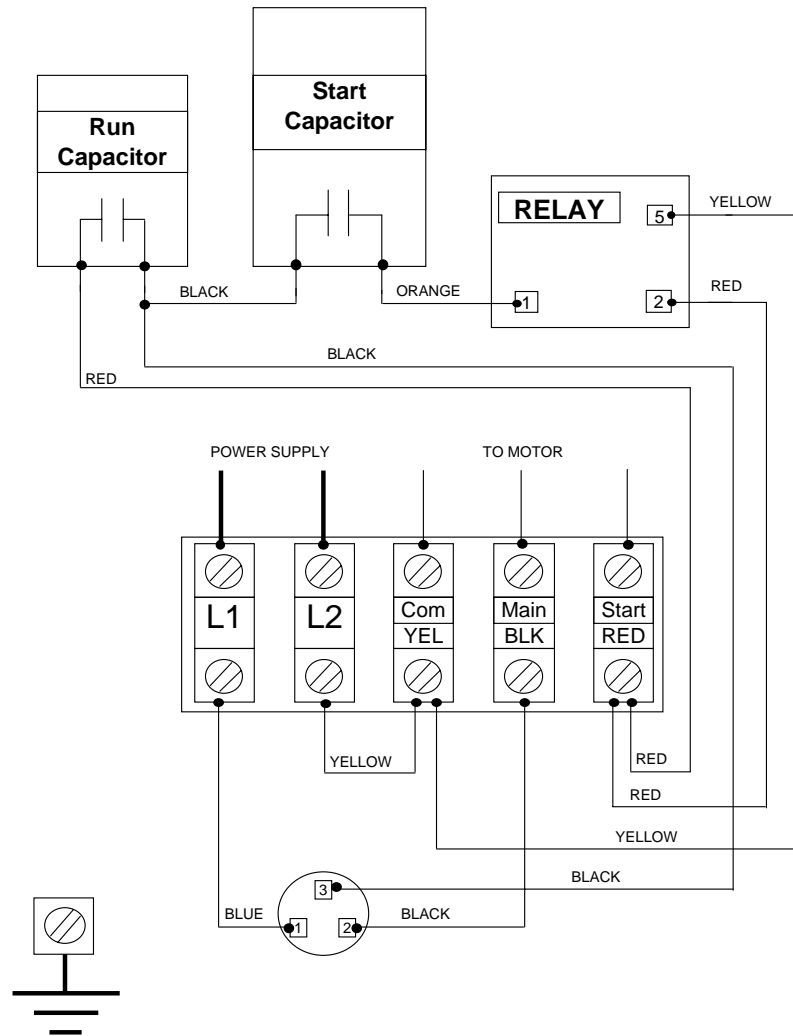


1.1 kW 230V STANDARD CONTROL BOX INTERNAL WIRING DIAGRAM



IMPORTANT:

- INTENDED AS A WIRING GUIDE ONLY.
- FOR ELECTRICAL COMPLIANCE REFER TO LOCAL ELECTRICAL CODES SUCH AS SANS 0142 ETC.
- FOR DEVELOPMENT, MAINTENANCE AND MANAGEMENT OF GROUNDWATER RESOURCE COMPLIANCE REFER TO SANS 10299.
- FOR CONTROL BOX OPERATION REFER TO YOUR CONTROL BOX MANUAL OR FASP FIELD SERVICE GUIDE & ELECTRICAL INSTRUMENT KIT MANUAL.

CAPACITOR SIZES:

- 1.1 kW - RUN CAP = 10 Mfd 370V
- START CAP = 105-126 Mfd 220V

OVERLOAD PUSH BUTTON

1.1 kW OVERLOAD - 305215914

TECHNICAL SPECIFICATIONS

Voltage - Nominal	230VAC 50Hz
Voltage - Operating	230VAC 50Hz (+ or - 10%)
Operating Temperature	- 5 to + 60 degrees celsius
Reset On Overload	Manual Reset

Identification of Cables when Colour Code Is Unknown:

If the colours on the individual drop cable cannot be found, number each cable.

Measure with ohmmeter:

Cable 1 to Cable 2

Cable 2 to Cable 3

Cable 3 to Cable 1

Find the highest resistance reading

The lead not used in the highest reading is the Common lead (Mark the lead). Use the Common lead and each of the other two leads to get two readings:

From these two readings the:

Highest is the Start (Mark the lead).

Lowest is the Run (Mark the lead).

Connect marked leads to Control Box as indicated.



Franklin Electric
South Africa (Pty) Ltd

Revisions

Rev	Date	App	Description

Reference Drawings

Part Number

1.1 kW

2	8	2	3	5	0	8	1	1	4
---	---	---	---	---	---	---	---	---	---

Drawn	BE
Approved	LVDM
Date	22/09/2005

Drw Type	Schematic
Rev	0

STANDARD
Single Phase 1.1 kW
Manual On/Off
230V