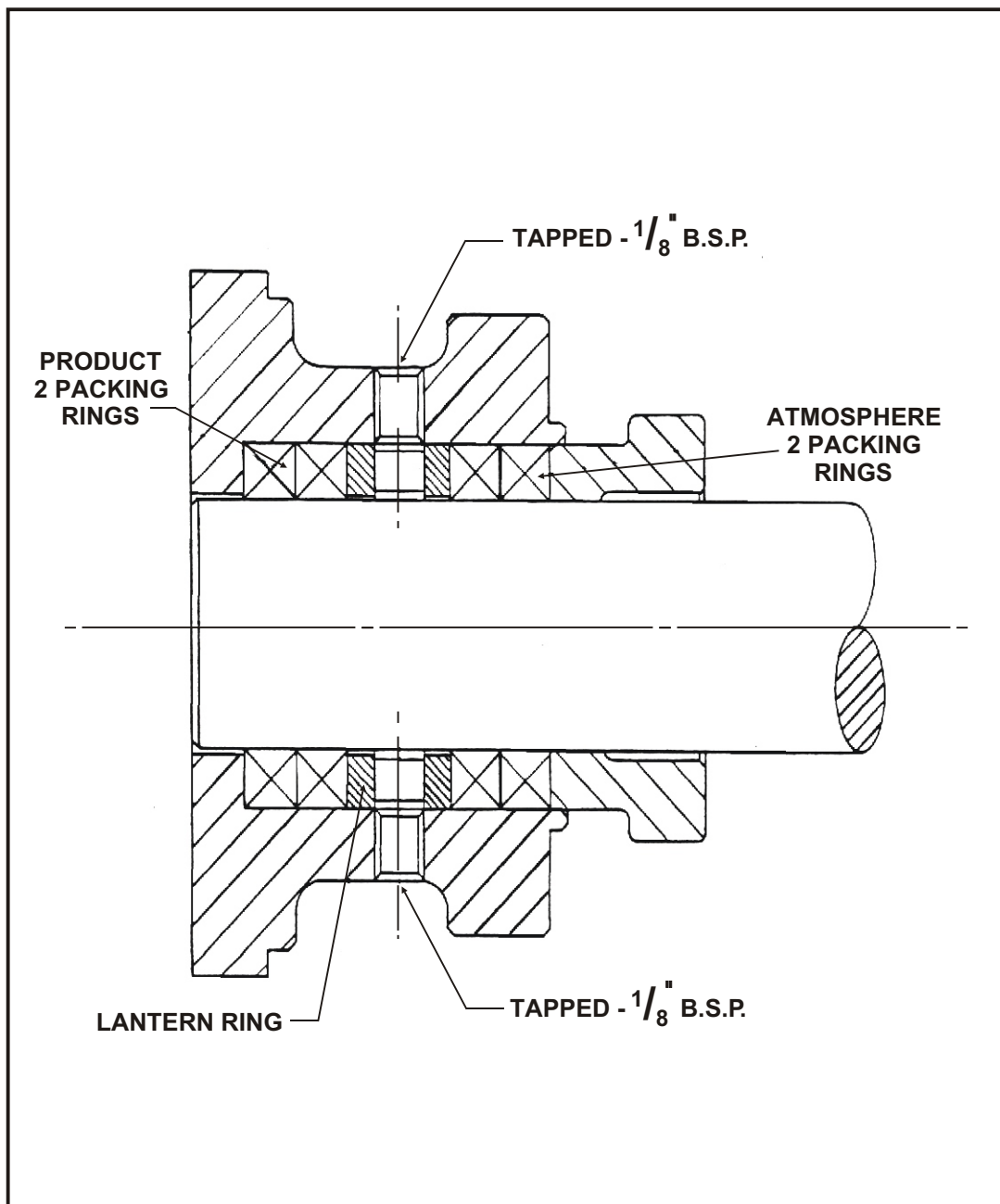




LANTERN RING DETAILS

M-RANGE



DATE: 01/06/06

DATA No. D106