

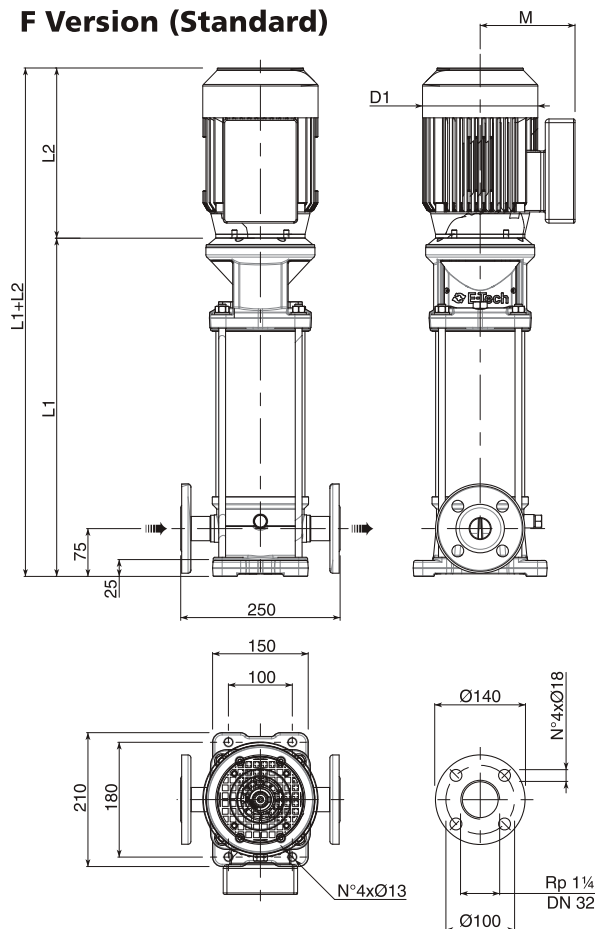


**VERTICAL MULTISTAGE PUMP
TECHNICAL DATA**

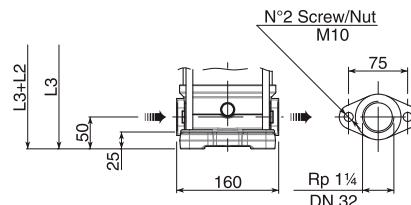
VR5

Dimensional Data

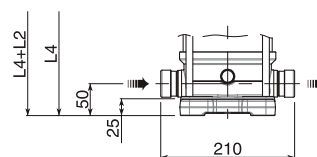
F Version (Standard)



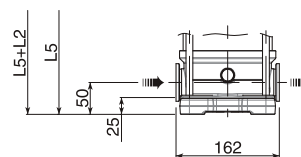
T Version



V Version



C Version



F version-
Round flanges on body type PN25.

T version-
Oval flanges on body type PN16: the pump is supplied without oval counter flanges for pipe to be screwed, joints and bolts (Optional accessories).

V version-
Connections with rapid fittings type "Victaulic": the pump is supplied without the collars (Optional accessories).

C version-
Connections with round fittings type Clamp-FlexiClamp: the pump is supplied without collars (Optional accessories).

Pump Model	Motor			Dimensions (MM)										Weight (KG)				
	KW/HP	Size	MTG	L1	L2		L3	L4	L5	M		D1		PE	Motor		PMA	
				F	1-ph	3-ph	T-vers	V-vers	C-vers	1-ph	3-ph	1-ph	3-ph		1-ph	3-ph	1-ph	3-ph
VR5/2	.55/1.0	71	B14	328.5	210	210	303.5	303.5	303.5	123	117	145.0	139.0	15.5	5.5	5.2	21	20.7
VR5/3	.75/1.0	80	B14	352.5	250	250	327.5	327.5	327.5	142	137	165.0	158.0	16.0	8.9	8.7	24	24.7
VR5/4	1.1/1.5	80	B14	376.5	250	250	351.5	351.5	351.5	142	137	165.0	158.0	16.5	8.9	8.7	25.4	25.2
VR5/5	1.1/1.5	80	B14	400.5	250	250	375.5	375.5	375.5	142	137	165.0	158.0	17.0	8.9	8.7	25.9	25.7
VR5/6	1.5/2.0	90S	B14	435.0	260	260	410.0	410.0	410.0	150	145	185.0	175.0	18.0	12	12	30	30
VR5/7	1.5/2.0	90S	B14	459.0	260	260	434.0	434.0	434.0	150	145	185.0	175.0	19.0	12	12	31	31
VR5/8	2.2/3.0	90L	B14	483.0	255	285	458.0	458.0	458.0	150	145	185.0	175.0	19.5	15	14.5	34.5	34
VR5/10	2.2/3.0	90L	B14	531.0	285	285	506.0	506.0	506.0	150	145	185.0	175.0	20.5	15	14.5	35.5	35
VR5/12	3.0/4.0	100L	B14	589.0		308	564.0	564.0	564.0		152		197.0	22.5		20		42.5
VR5/14	3.0/4.0	100L	B14	637.0		308	612.0	612.0	612.0		152		197.0	24.0		20		44.5
VR5/17	4.0/5.5	112	B14	709.0		335	684.0	684.0	684.0		180		220.0	25.5		26		51.5
VR5/19	5.5/7.5	132S	B5	779.5		376	754.5	754.5	754.5		193		262.0	32.0		38.4		70.4
VR5/22	5.5/7.5	132S	B5	851.5		376	826.5	826.5	826.5		193		262.0	33.5		38.4		71.9

DATE: MARCH 2011

CURVE NO. VRD002

