



Application

- Can be used to transfer clean water or other liquids similar to water in physical and chemical properties
- Suitable for lifting water from the well, sprinkling irrigation in garden, pressure boosting of running water, and supporting equipment etc.

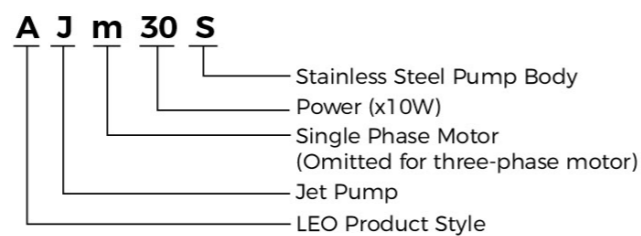
Pump

- Stainless steel pump body
- Support under special anti-rust treatment
- Stainless steel impeller
- AISI 304 shaft
- Max. liquid temperature: +60°C
- Max. suction: +9 m

Motor

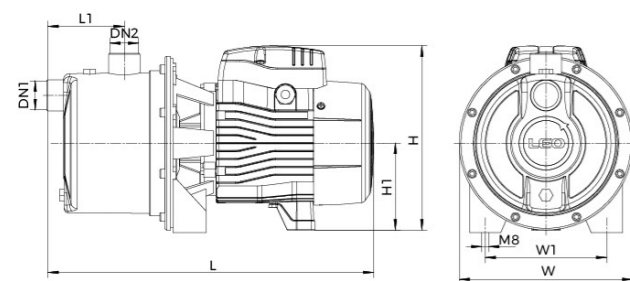
- Low noise&Long life bearing
- Motor with copper winding
- Built-in thermal protector for single phase motor
- Insulation class: F
- Enclosures class: IPX4
- Max.ambient temperature: +50°C

Identification Codes



Technical Data

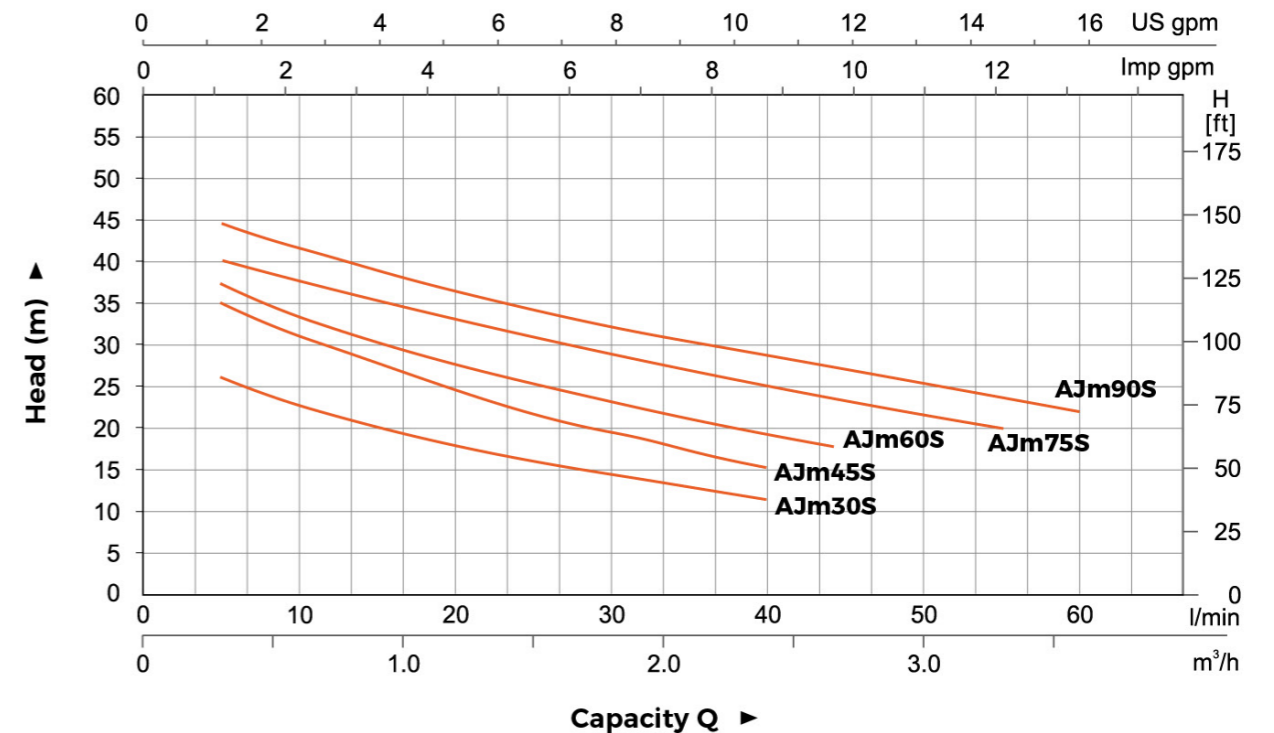
Model	Power		Q(m ³ /h)		H (m)																								
	kW	HP	0	0.3	0.6	0.9	1.2	1.5	1.8	2.1	2.4	2.8	3.0	3.3	3.6	0	5	10	15	20	25	30	35	40	47	50	55	60	
AJm30S	0.3	0.4	30	26	23	20	18	16.5	15	13	11	-	-	-	-	-	-	-	-	-	-	-	-	-	-	-	-	-	-
AJm45S	0.45	0.6	38	35	31	27	25	22	20	19	16	-	-	-	-	-	-	-	-	-	-	-	-	-	-	-	-	-	-
AJm60S	0.6	0.8	42	37	33	30	27	25	23	21	20	18	-	-	-	-	-	-	-	-	-	-	-	-	-	-	-	-	-
AJm75S	0.75	1.0	47	40	38	36	34	32	30	28	27	25	23	20	-	-	-	-	-	-	-	-	-	-	-	-	-	-	-
AJm90S	0.9	1.2	48	44	42	39	37	35	34	32	31	29	28	26	22	-	-	-	-	-	-	-	-	-	-	-	-	-	-



Dimension

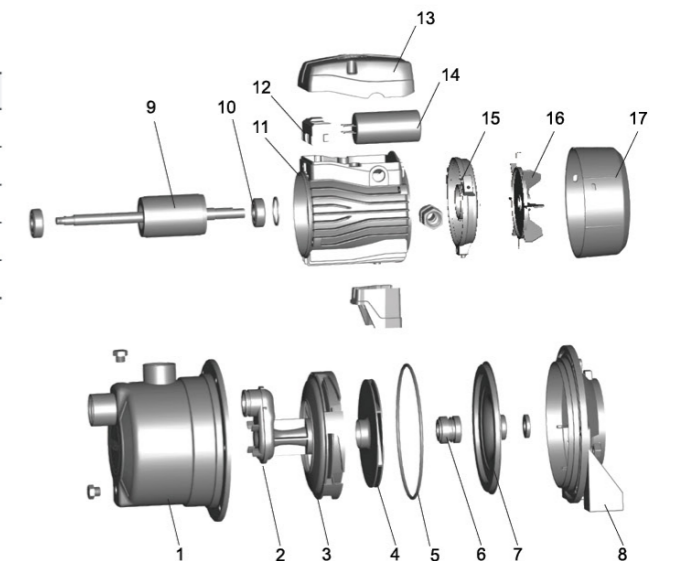
Model	DN1	DN2	L (mm)	W (mm)	H (mm)	L1 (mm)	W1 (mm)	H1 (mm)
AJm30S	1"	1"	229	180	181.5	75	140	92
AJm45S			229	180	181.5	75	140	92
AJm60S			385	200	213	88	140	103
AJm75S			385	200	213	88	140	103
AJm90S			385	200	213	88	140	103

Hydraulic Performance Curves



Material Table

No.	Part	Material	No.	Part	Material
1	Pump body	AISI304	13	Terminal box	PA6-GF25
2	Venturi tube	PPO	14	Capacitor	
3	Diffuser	PPO	15	Rear cover	ZL102
4	Impeller	AISI304	16	Fan	PP
5	O-ring	NBR	17	Fan cover	PP
6	Mechanical seal	Carbon/Ceramic			
7	Bracket cover	AISI304			
8	Support	ZL102			
9	Rotor				
10	Bearing				
11	Stator				
12	Terminal board	PC			



Package Information

Model	GW (Kgs)	L (mm)	W (mm)	H (mm)	Quantity (PCS/20'TEU)
AJm30S	5.7	350	180	220	1920
AJm45S	6.7	350	180	220	1920
AJm60S	9.2	420	228	257	1056
AJm75S	10.1	420	228	257	1056
AJm90S	10.7	420	228	257	1056

