

Applications

- Water supply
- Industry pressure boosting
- Industry liquid transfer
- Water treatment
- Irrigation

Motor

- Fitted with a totally enclosed fan-cooled, 2-pole motor
- Enclosure class: IP55
- Insulation class: F
- Supply voltage: 50Hz or 60Hz

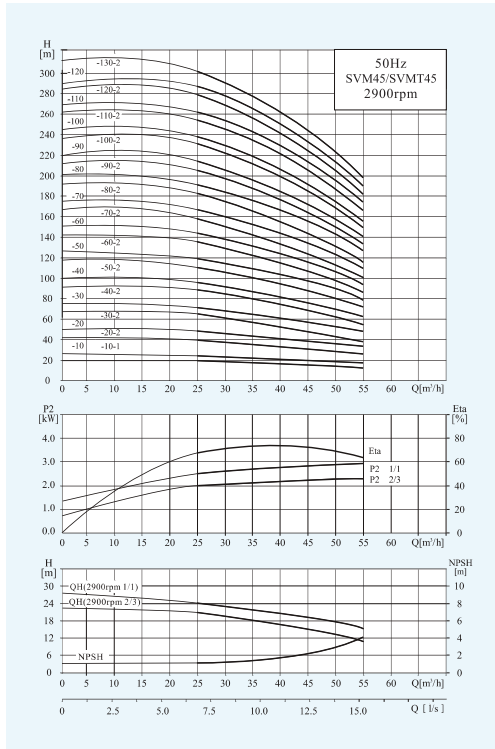
Operation conditions

- Thin, clean, non-explosive liquids, not containing solid particles or fibers liquid
- Liquid temperature: normal temperature type: -15°C~+70°C hot water type: -15°C~+105°C
- Ambient temperature: maximum +40°C
- Altitude: maximum 1000m

Material

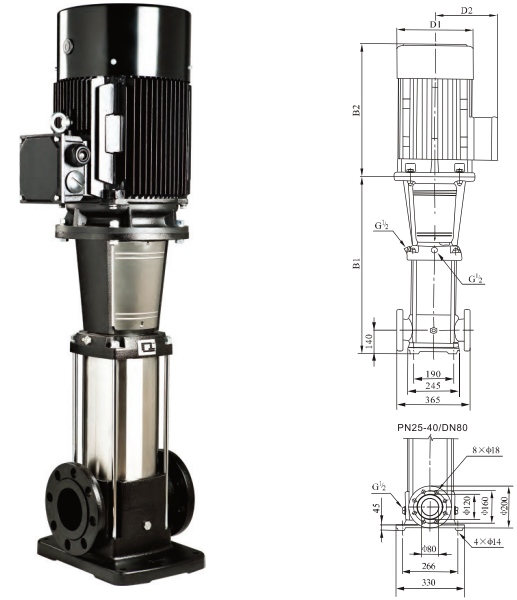
- Inlet&outlet chamber: Cast iron/Stainless steel(304/316)
- Impeller: Stainless steel(304/316)
- Shell: Stainless steel(304/316)
- Shaft: Stainless steel(304/316)
- Coupling: Ductile iron
- Bearing: Tungsten carbide
- Mechanical seal: Tungsten carbide/Graphite

Performance Curves



Performance Table

Model	Associated motor(kW)	Q (m³/h)	H (m)								
			25	30	35	40	45	50	55		
SVM45-10-1	3.0	H (m)	20	19	18	17	15	13	11		
SVM45-10	4.0		24	23	22	21	19	18	16		
SVM45-20-2	5.5		40	38	36	33	30	27	23		
SVM45-20	7.5		48	46	44	42	39	35	31		
SVM45-30-2	9.2		63	61	58	54	50	44	38		
SVM45-30	11		71	69	66	63	58	53	47		
SVM45-40-2	15		87	84	80	75	69	62	54		
SVM45-40	15		95	92	88	84	78	71	62		
SVM45-50-2	18.5		111	107	102	96	88	80	69		
SVM45-50	18.5		119	115	110	105	97	88	78		
SVM45-60-2	22		135	130	124	117	108	97	85		
SVM45-60	22		143	138	132	125	116	106	93		
SVM45-70-2	26		158	152	146	138	127	115	100		
SVM45-70	26		166	161	154	146	135	124	109		
SVM45-80-2	30		182	175	168	159	146	133	116		
SVM45-80	30		190	184	176	167	154	141	124		
SVM45-90-2	30		205	198	190	180	166	150	132		
SVM45-90	37		214	207	198	188	174	159	140		
SVM45-100-2	37		230	221	212	200	185	168	147		
SVM45-100	37		238	230	220	209	193	177	155		
SVM45-110-2	45	255	246	236	223	206	188	165			
SVM45-110	45	263	255	244	232	214	196	173			
SVM45-120-2	45	280	270	259	245	226	206	181			
SVM45-120	45	289	280	268	255	236	216	190			
SVM45-130-2	45	305	294	282	267	247	225	198			



Dimension & Weight

Model	Size (mm)					Net Weight (kg)
	B1	B2	B1+B2	D1	D2	
SVM45-10-1	561	345/355	906/916	197/230	165/188	83/90
SVM45-10						
SVM45-20-2	641	390	1031	260	208	105/110
SVM45-20						
SVM45-30-2	721/826	390/500	1111/1326	260/330	208/255	127/183
SVM45-30						
SVM45-40-2	906	500	1406	330	255	197
SVM45-40						
SVM45-50-2	986	550	1536	330	255	221
SVM45-50						
SVM45-60-2	1066	575	1641	360	285	261
SVM45-60						
SVM45-70-2	1146	575	1721	360	285	288
SVM45-70						
SVM45-80-2	1226	650	1876	400	310	324
SVM45-80						
SVM45-90-2	1306	650	1956	400	310	328/352
SVM45-90						
SVM45-100-2	1386	650	2036	400	310	355
SVM45-100						
SVM45-110-2	1466	685	2151	450	345	426
SVM45-110						
SVM45-120-2	1546	685	2231	450	345	432
SVM45-120						
SVM45-130-2	1626	685	2311	450	345	438