



Application

- It is used for water circulation in all kinds of small domestic swimming pools. Slightly dirty water with solids in suspension can be perfectly filtered.

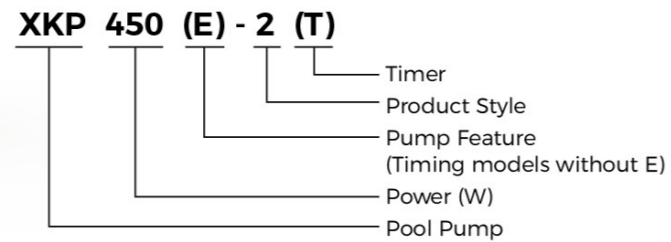
Pump

- Engineering plastic pump body
- Medium temperature: 5 - 50°C
- Environmental temperature: ≤40°C

Motor

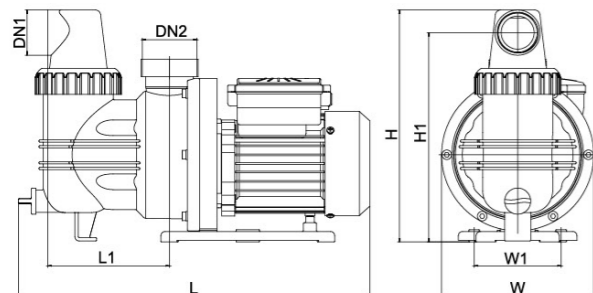
- Motor with copper or aluminum winding
- Built-in thermal protector for single phase motor
- Insulation class: F
- Enclosures class: IPX5

Identification Codes



Technical Data

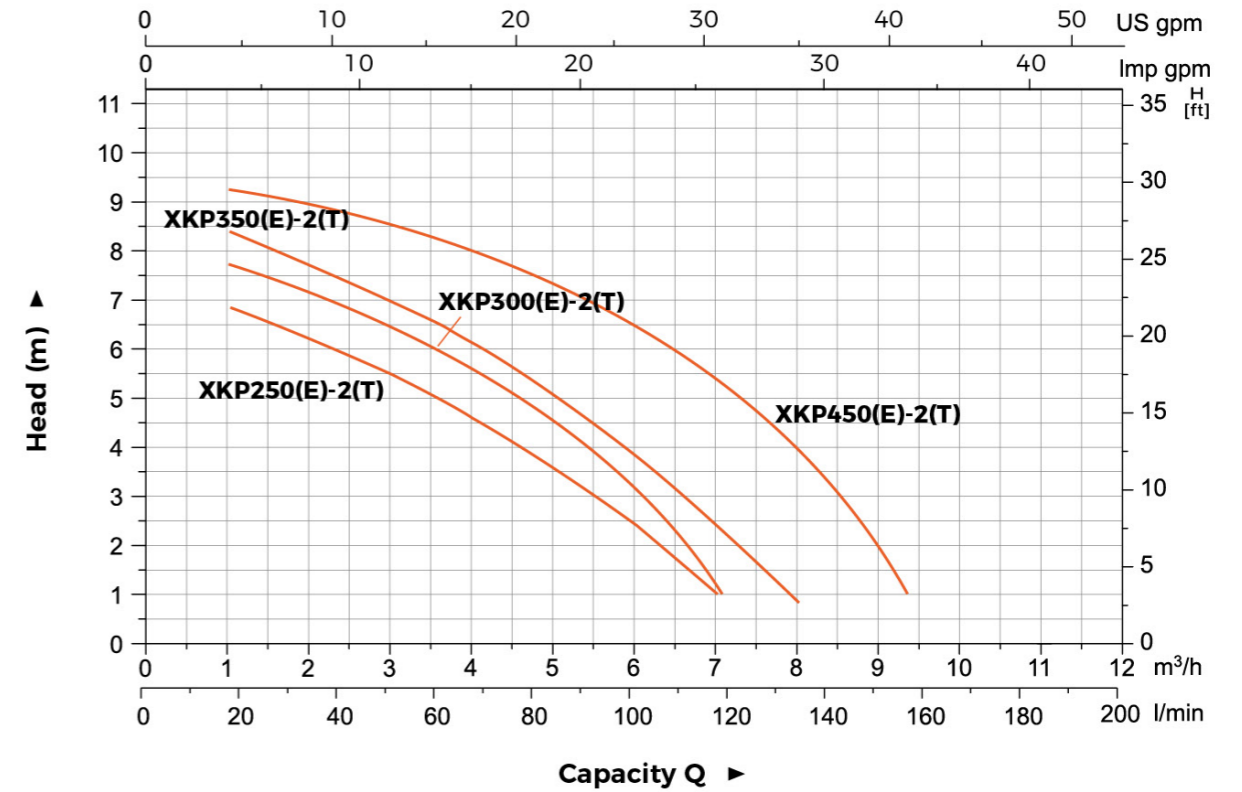
Model	Power W	Q(m ³ /h) Q(l/min)	1	2	3	4	5	6	7	8	9
			H (m)								
XKP250(E)-2(T)	250		7.5	6.3	5.5	4.6	3.6	2.4	1.0	-	-
XKP300(E)-2(T)	300		8.5	7.2	6.4	5.5	4.5	3.0	1.0	-	-
XKP350(E)-2(T)	350		9	7.7	7.0	6.2	5.0	3.8	2.3	0.8	-
XKP450(E)-2(T)	450		10	9.1	8.5	8.0	7.3	6.4	5.2	4.0	2.4



Dimension

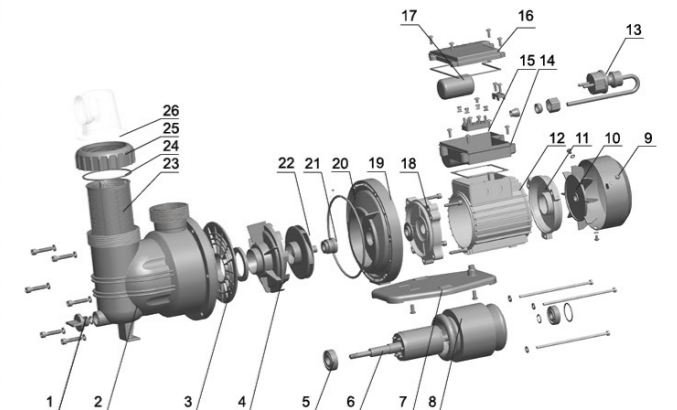
Model	DN1	DN2	L (mm)	W (mm)	H (mm)	L1 (mm)	W1 (mm)	H1 (mm)
XKP250(E)-2(T)	40	40	412	175	265	140	100	239
XKP300(E)-2(T)			412	175	265	140	100	239
XKP350(E)-2(T)			412	175	265	140	100	239
XKP450(E)-2(T)			412	175	265	140	100	239

Hydraulic Performance Curves



Material Table

No.	Part	Material	No.	Part	Material
1	Filling plug	PP	14	Terminal box	ABS
2	Pump body	PP	15	Terminal board	PC
3	Water proof cover	PPO	16	Terminal box cover	ABS
4	Diffuser		17	Capacitor	
5	Ball bearing		18	Front plate	ZL102
6	Rotor		19	Support	PP
7	Base	PA	20	O-ring	NBR
8	Stator		21	Mechanical seal	Graphite/Ceramics
9	Fan cover	08F	22	Impeller	PPO
10	Fan	PP	23	Sieve	PP
11	Rear cover	ZL102	24	O-ring	NBR
12	Motor housing	ZL102	25	Nut	ABS
13	Cable		26	Connector	PC



Package Information

Model	GW (Kgs)	L (mm)	W (mm)	H (mm)	Quantity (PCS/20'TEU)
XKP250(E)-2(T)	5.7	450	203	238	1341
XKP300(E)-2(T)	6.1	450	203	238	1260
XKP350(E)-2(T)	6.3	450	203	238	1341
XKP450(E)-2(T)	6.5	450	203	238	1341

