

# 4" OIL FILLED MOTOR

## 20 Bar Single phase

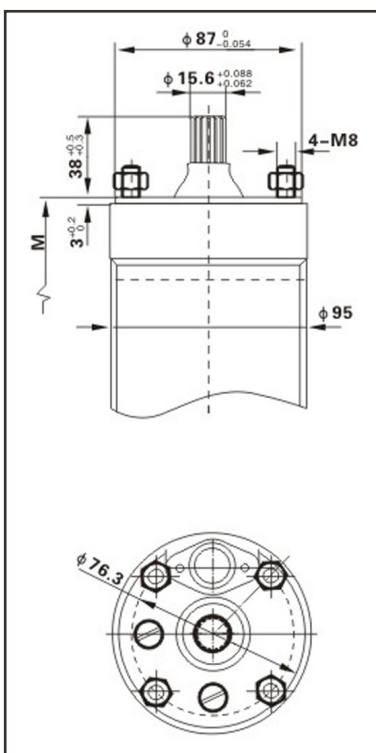


### Motor technical data

Single phase power:	0.37 to 2.2 kW
Speed:	2850rpm
Voltage:	220 ~ 240V/50Hz
Insulation class:	B
Protection grade:	IP 68
Highest temperature of Liquid:	35°C
Maximum solid handling:	40g/m <sup>3</sup>
Motor casing:	stainless steel
Maximum diameter:	Φ 95 mm
With sand proof cover/pressure balance membrane/mechanical seal for high performance.	
Flange and coupling according to NEMA standard.	



### Motor dimensions



TYPE	MOTOR POWER		CAP μf	RUNNING Amps	DIMENSIONS	
	kW	HP			Length (mm)	Weight (kg)
Single Phase 220V~/50HZ						
4SDm-0.37	0.37	0.5	20	3.7	314	6.7
4SDm-0.55	0.55	0.75	25	4.7	329	7.3
4SDm-0.75	0.75	1.0	35	6.2	344	8.0
4SDm-1.1	1.1	1.5	45	8.0	399	10.6
4SDm-1.5	1.5	2.0	55	10.5	424	11.7
4SDm-2.2	2.2	3.0	60	15	502	15.7

### Motor wiring

