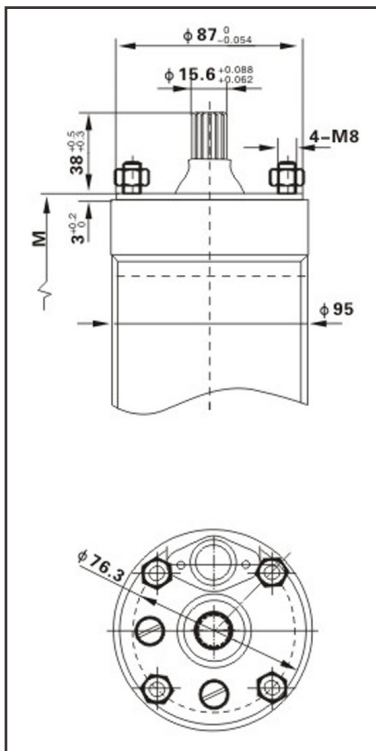




### Motor technical data

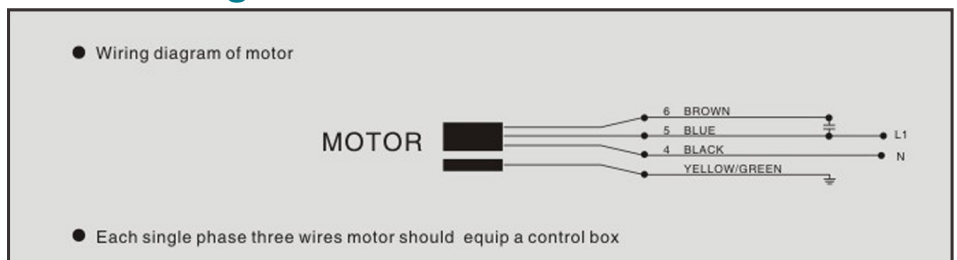
Single phase power:	0.75 to 5.5 kW
Speed:	2850rpm
Voltage:	220 3 phase
Insulation class:	B
Protection grade:	IP 68
Highest temperature of liquid:	35°C
Maximum solid handling:	40g/m <sup>3</sup>
Motor casing:	stainless steel
Maximum diameter:	Φ 95 mm
With sand proof cover/pressure balance membrane/ mechanical seal for high performance.	
Flange and coupling according to NEMA standard.	

### Motor dimensions



TYPE	MOTOR POWER		RUNNING Amps	DIMENSIONS	
	kW	HP		Length (mm)	Weight (kg)
Single Phase 220V~/50HZ					
4SD-0.37	0.37	0.5	2.8	314	6.7
4SD-0.55	0.55	0.75	3.6	329	7.3
4SD-0.75	0.75	1.0	4	344	8.0
4SD-1.1	1.1	1.5	5.9	399	10.6
4SD-1.5	1.5	2.0	7.8	424	11.7
4SD-2.2	2.2	3.0	11.6	344	8.0
4SD-4.0	4	5.5	17	698	23.7
4SD-5.5	5.5	7.5	21	788	28

### Motor wiring



*Note: These motors make use of our AC-DC inverters  
For more information go to the Solar Inverter AC-DC Catalogue (Solar Products)*