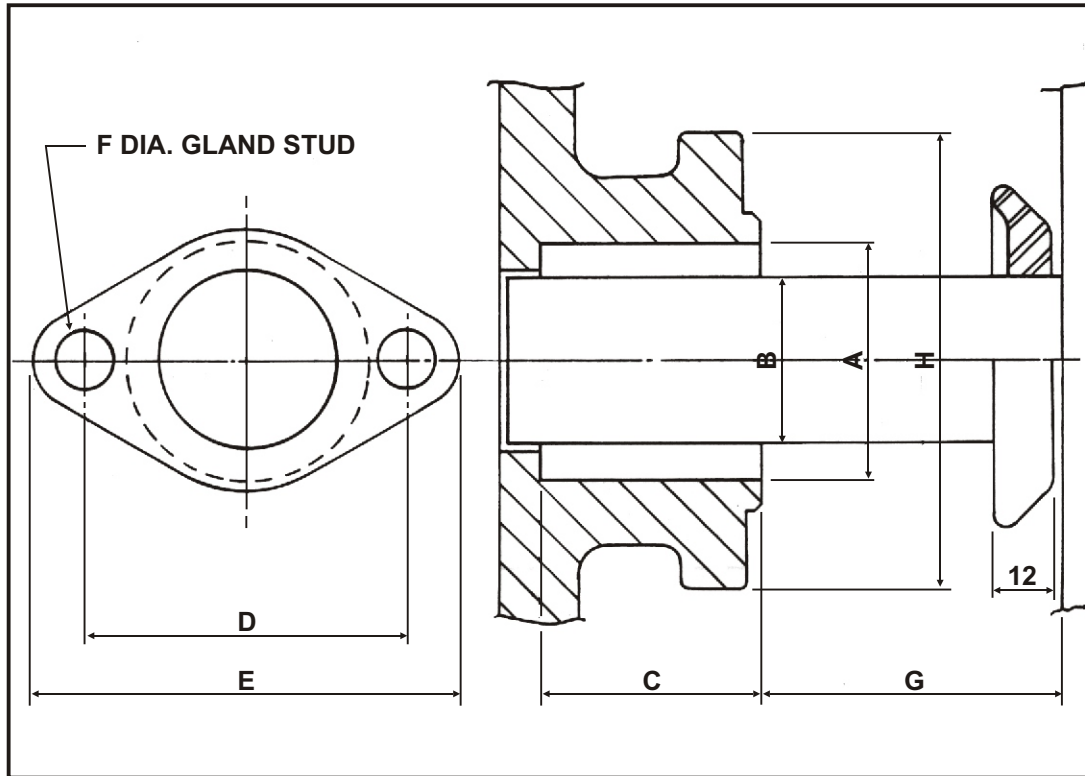




GLAND SECTION DETAILS

M-RANGE



DIMENSIONS OF GLAND HOUSING AND PACKING

PUMP	N° OF RINGS	SECTION	A	B	C	D	E	F	G	H
22M	6	6SQ.	42	30	39	58	72	M8	39	72
31M										
32M										
41M	6	8SQ.	51	35	51	76	98	M12	68	98
42M										
61M	6	10SQ.	65	45	63	90	112	M12	76	110
62M										
71M	6	10SQ.	85	65	63	120	142	M12	87	140
72M										
81M										
82M	6	10SQ.	100	80	63	133	155	M12	87	154
91M										
92M	6	10SQ	100	80	63	133	155	M12	87	154

DATE: 01/06/06

DATA No. D102