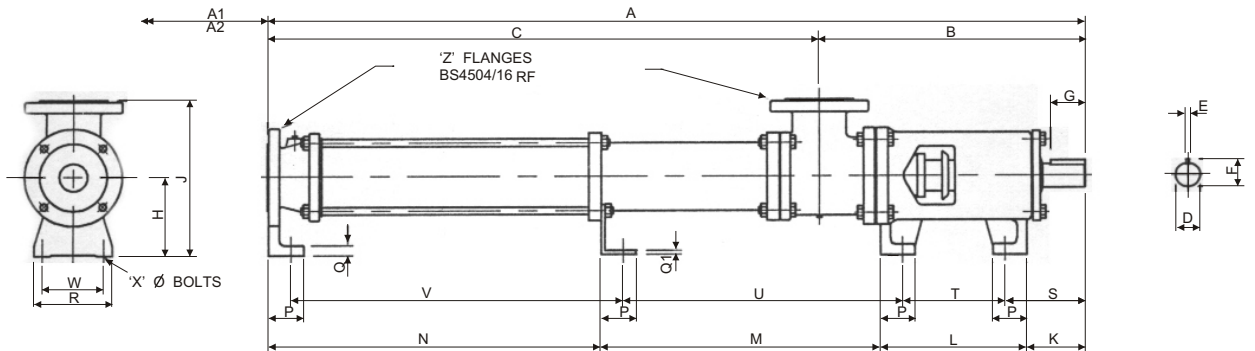




SOLID SHAFT RANGE
DIMENSION SHEET

M-RANGE



	A	A1	A2	B	C	D	E	F	G	H	J	K	L	M
41S	887	150	300	340	547	28	8	31	35	90	200	85	215	387
42S	1017	200			677									
61S	1148	200	430	406	957	38	10	41	40	110	230	91	270	512
62S	1363	370			742									
71S	1406	200	510	545	861	48	14	52	70	160	320	120	300	596
72S	1686	500			1141									
81S	1406	200			861									
82S	1905	480			1340									
91S	1785	360	700	565	1220							140	820	
92S														

	N	P	Q	Q1	R	S	T	U	V	W	X	Z	MASS kg
41S	195	40	10	8	125	110	165	387	195	90	M10	40	
42S	325								325				
61S	270	50	13	8	140	126	200	519	263	105	M12	50	
62S	485								478				
71S	385	70	20	3	200	165	210	596	385	150	M16	80	
72S	665								665				
81S	385								385				
82S	640								640				
91S	520			10		185		820	520			100	
92S													

NOTE: A1 REPRESENTS ABSOLUTE MINIMUM DISMANTLING SPACE
A2 REPRESENTS PREFERRED MINIMUM DISMANTLING SPACE

DATE: 01/06/06

DATA No. D125